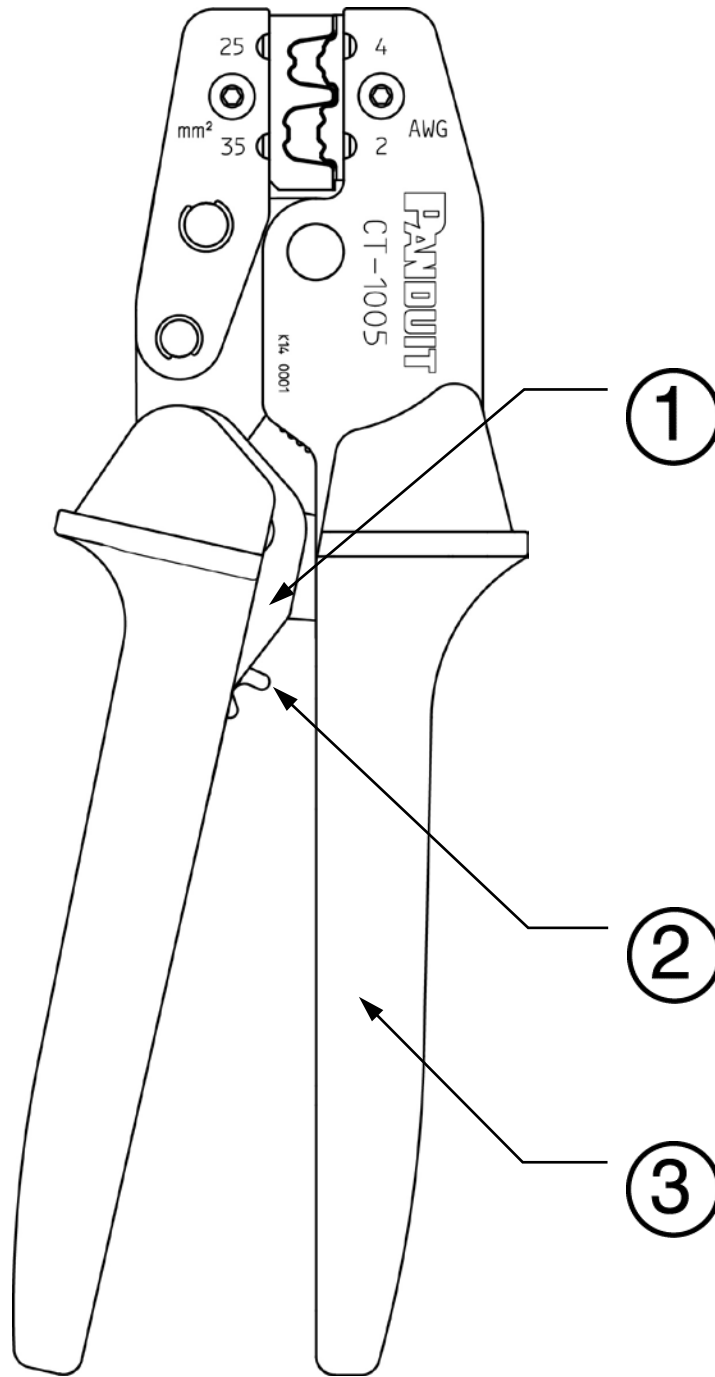


THIS COPY IS PROVIDED ON A RESTRICTED BASIS AND IS NOT TO BE USED IN ANY WAY DETRIMENTAL TO THE INTERESTS OF PANDUIT CORP.



CT-1005 TOOL SHOWN

| TOOL | WEIGHT | LENGTH | CLOSED HANDLE WIDTH |
|---------|--------------------|--------------|---------------------|
| CT-1005 | 10.6 oz. (300 gr.) | 8.56 (217.4) | 2.91 (73.9) |
| CT-1006 | | 8.56 (217.4) | 2.91 (73.9) |

| CT-1005 | "G" Dia (GO) | "NG" Dia. (NO GO) |
|---------|----------------|-------------------|
| 2 AWG | .176" (4,47mm) | .182" (4,62mm) |
| 4 AWG | .135" (3,43mm) | .142" (3,61mm) |

| CT-1006 | "G" Dia (GO) | "NG" Dia. (NO GO) |
|---------|----------------|-------------------|
| 1 AWG | .215" (5,46mm) | .222" (5,64mm) |

NOTES, UNLESS OTHERWISE SPECIFIED:

Panduit Tool Number:
CT-1005 used to install single and dual wire, Panduit insulated and non-insulated loose piece ferrules.

Crimps the following types:

- FTD type: #2 x 6 AWG – #2 x 8 AWG [2.0 X 10.0 mm² – 2.0 x 16.0 mm²] dual wire insulated ferrules
- FSD type: #4 AWG – 2 AWG [25.0 mm² – 35.0 mm²] single wire insulated ferrules
- F type: #4 AWG – 2 AWG [25.0 mm² – 35.0 mm²] single wire non-insulated ferrules

CT-1006 used to install single wire, Panduit insulated and non-insulated loose piece ferrules.

Crimps the following types:

- FSD type: #1 AWG [50.0mm²] single wire insulated ferrules (DIN)
- F type: #1 AWG [50.0mm²] single wire non-insulated ferrules

TOOL FEATURES INCLUDE:

1. Controlled cycle mechanism prevents tool from opening before crimp cycle is complete.
2. Manual release lever, push forward in the event that controlled cycle mechanism must be released.
3. Resilient grips to prevent operator fatigue.



NOTE: The grips are NOT intended to insulate against electrical shock.

DIMENSIONS SHOWN IN PARENTHESES ARE MILLIMETERS AND ARE FOR REFERENCE ONLY.

| REV | DATE | BY | CHK | APR | DESCRIPTION | ECN | CT-1005 and CT-1006 | | | | | |
|-----|------|----|-----|-----|-------------|-----|---|---------|----------------|-----------------|------------|------------------|
| | | | | | | | CUSTOMER DRAWING | | | | | |
| | | | | | | | ITEM REVISION NAME: | | PANDUIT | | | |
| | | | | | | | TP27652B01_00 | | | | | |
| | | | | | | | UNLESS OTHERWISE SPECIFIED, DIMENSIONAL TOLERANCES ARE: | | | MATERIAL: | | |
| | | | | | | | (.x) ± --- (.xxx) ± .015 | | | ----- | | |
| | | | | | | | (.xx) ± .03 ANGLES ± 1° | | | DRAWING NUMBER: | | |
| | | | | | | | THIRD ANGLE PROJECTION | | | TP27652B01 | | |
| | | | | | | | DRAWN BY: | DATE: | CHK | SCALE | SHT 1 OF 1 | SIZE B |
| | | | | | | | BLR | 5-06-15 | BJPU | NONE | | |