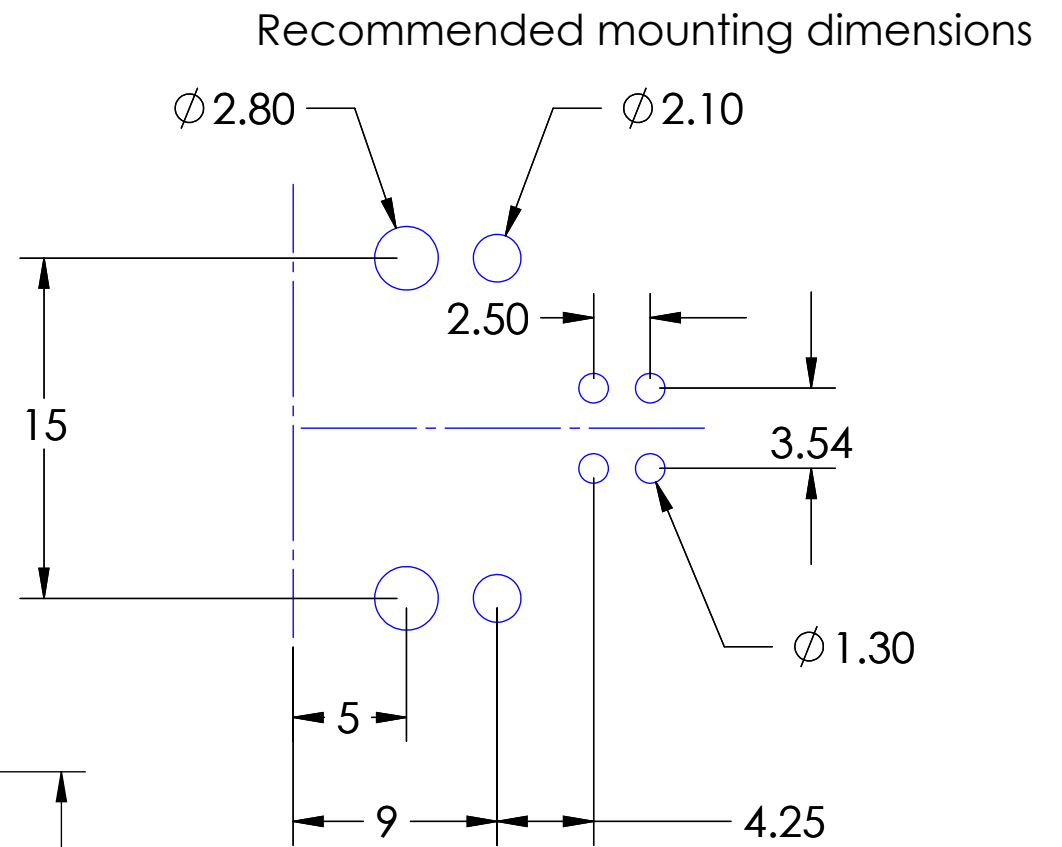
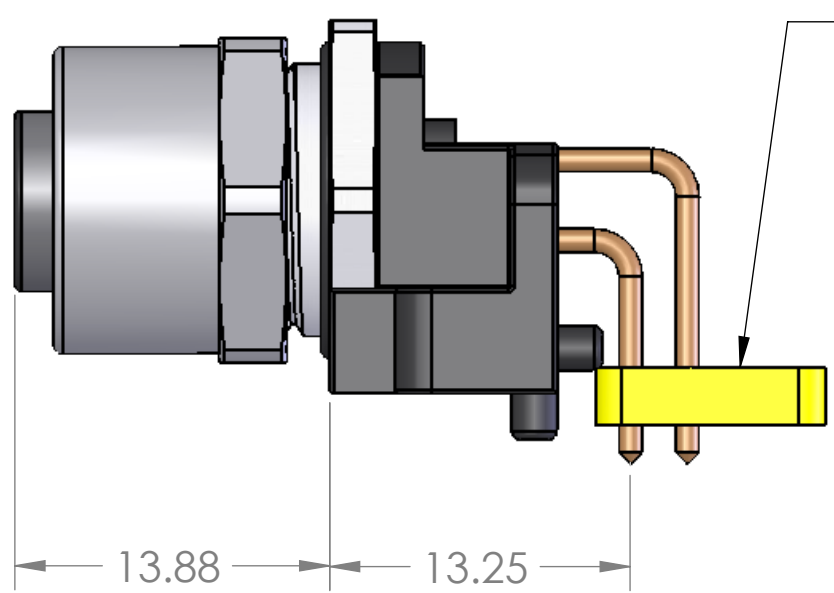
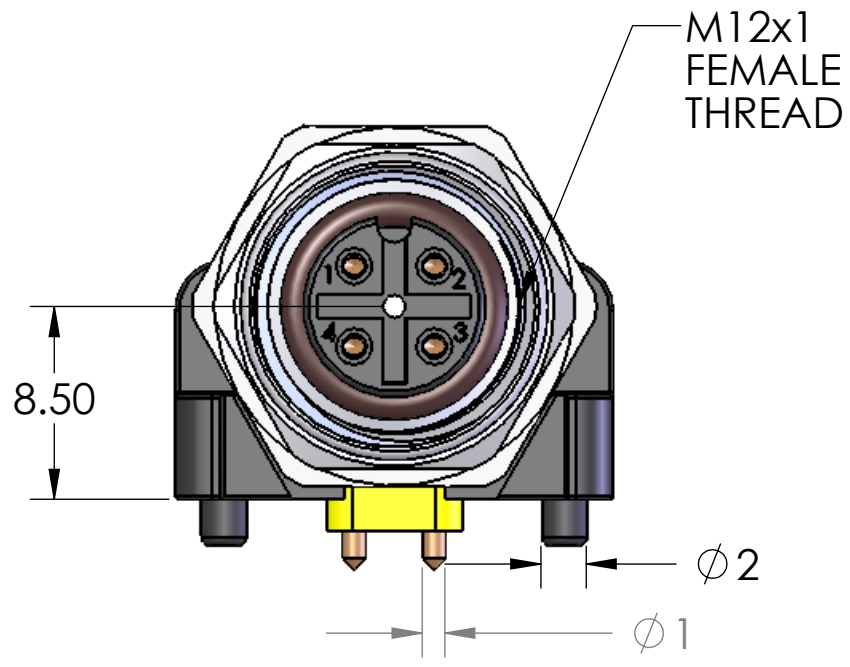


REVISIONS			
REV.	DESCRIPTION	DATE	APPROVED
A	REDRAWN IN SW	6/2/2006	



Recommended panel thickness: 3mm +/- .1mm
 Recommended panel hole: 12.5mm

MATERIALS:	
BODY:	POLYAMIDE
FITTINGS:	NICKEL PLATED BRASS
O-RINGS:	NBR
CONTACTS:	GOLD PLATED COPPER ALLOY

APPROVALS:	
US:	UL RECOGNIZED
CANADA:	C-UL RECOGNIZED

PROPRIETARY AND CONFIDENTIAL
 THE INFORMATION CONTAINED IN THIS DRAWING IS THE SOLE PROPERTY OF MENCOM CORPORATION. ANY REPRODUCTION IN PART OR AS A WHOLE WITHOUT THE WRITTEN PERMISSION OF MENCOM CORPORATION IS PROHIBITED.

UNLESS OTHERWISE SPECIFIED:		NAME
DIMENSIONS ARE IN MM		BEM
		DRAWN
		CHECKED
		ENG APPR.
		MFG APPR.
		Q.A.
		COMMENTS:
MATERIAL		
FINISH		
DO NOT SCALE DRAWING		

MENCOM CORPORATION		
TITLE:		
SIZE	DWG. NO.	REV
B	MDC-4FR-PCB-R	A
SCALE: 3:1	WEIGHT:	SHEET 1 OF 1