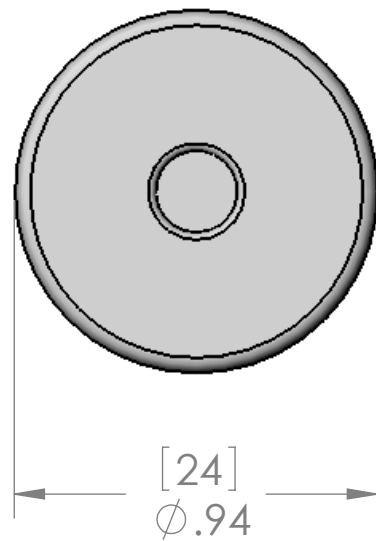
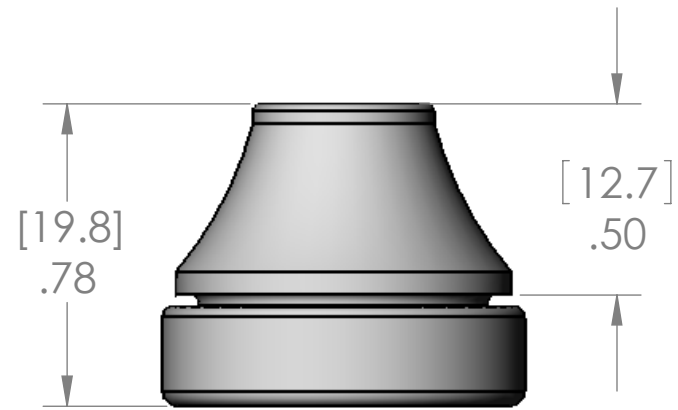
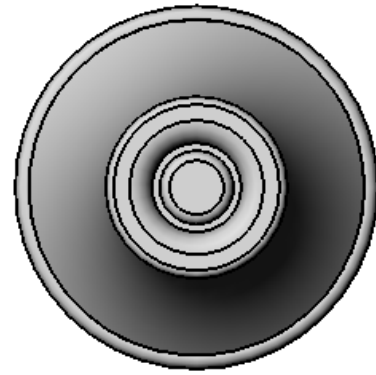


REVISIONS			
REV.	DESCRIPTION	DATE	APPROVED
A	REDRAWN IN SW	5/4/2009	



Panel Cutout	Panel Thickness	Sealing Range	Temperature Range
19mm	1 - 4mm	7 - 10mm	-40°C - +110°C

PROPRIETARY AND CONFIDENTIAL
 THE INFORMATION CONTAINED IN THIS DRAWING IS THE SOLE PROPERTY OF MENCOM CORPORATION. ANY REPRODUCTION IN PART OR AS A WHOLE WITHOUT THE WRITTEN PERMISSION OF MENCOM CORPORATION IS PROHIBITED.

UNLESS OTHERWISE SPECIFIED:		NAME	MENCOM CORPORATION	
DIMENSIONS ARE IN INCHES AND [MM]		DRAWN	TITLE:	
		CHECKED		
		ENG APPR.		
		MFG APPR.		
		Q.A.		
		COMMENTS:		
MATERIAL EPDM		SIZE	DWG. NO.	REV
COLOR LIGHT GRAY		B	SG-PG11-EGY	A
DO NOT SCALE DRAWING		SCALE: 3:2	WEIGHT:	SHEET 1 OF 1