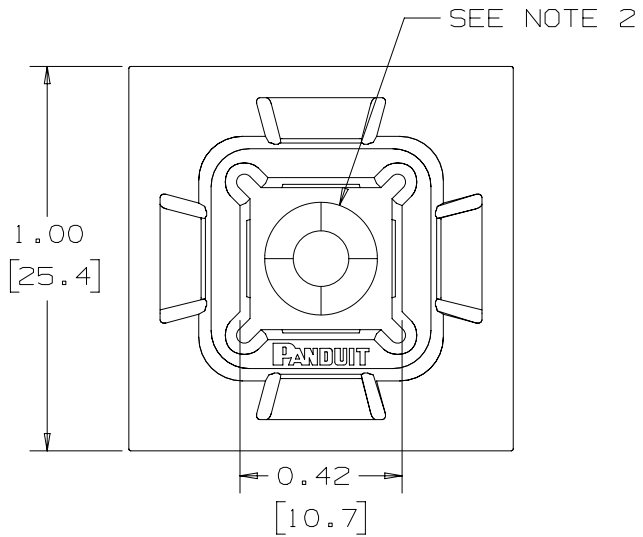
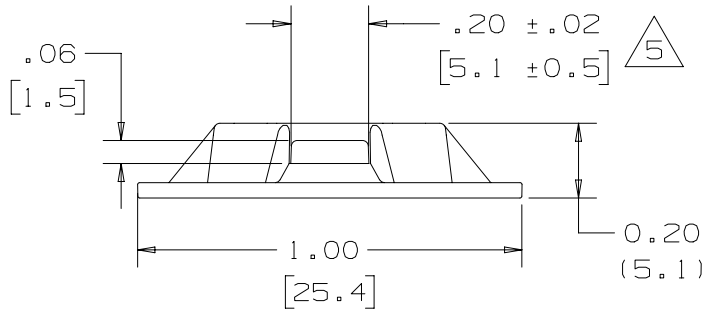
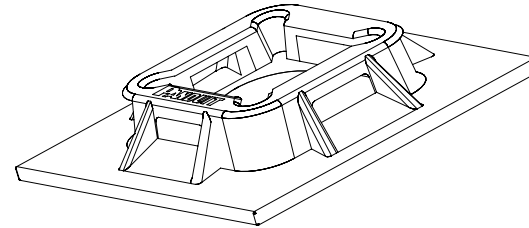


THIS COPY IS PROVIDED ON A RESTRICTED BASIS AND IS NOT TO BE USED IN ANY WAY DETRIMENTAL TO THE INTERESTS OF PANDUIT CORP.




PANDUIT PART NUMBER#	MATERIAL SUFFIX	MATERIAL	WEIGHT lbs/100 pcs (g)/100 pcs
ABM100-S6	NONE	NYLON 6/6 (WHITE)	0.26 /100 pcs (119)/100 pcs
	-0	WEATHER RESISTANT NYLON (BLACK)	
	-69	FLAME RETARDANT NYLON (IVORY)	



NOTES:

- *1. SEE CURRENT PRICE SHEET FOR PART NUMBER SUFFIX DESIGNATION FOR PACKAGE SIZE.
- 2. HOLE FOR STANDARD S6 FLAT HEAD SCREW.
- 3. USE MOUNTS WITH THESE CABLE TIES CROSS SECTIONS:
M, I, S
SG200, SG250, SG300

REV	DATE	BY	CHK	APR	DESCRIPTION	ECN	TITLE ABM100-S6 4 WAY MOUNT CUSTOMER DRAWING				
5	8/3/16	RVU	CLW	JHAC	CHANGE FROM .25 [6.4] TO .20 +/- .02.	GAECN03564	ITEM REVISION NAME G03597HJ/02				
4	3/3/05	JAD			UPDATE CABLE TIE WINDOW DIMENSIONS FOR NEW SUPER GRIP TIES, ADD NOTE 3.	GB0239DB	DATASET FILE NAME G03597HJ_DC_GB0239DB_05/02B				
3	5/9/01	LGG			REMOVED -14 AND -15 MATERIAL, BOTH ARE OBS.	GB0239DB	UNLESS OTHERWISE SPECIFIED, DIMENSIONAL TOLERANCES ARE: IN (mm) .x ± .05 [1.3] .xxx ± .010 [0.25] .xx ± .02 [0.5] ANGLES ± 5°				
2	12/19/99	CGSM			CHANGED DIMENSION TOLERANCES. REMOVED HOLD DIMENSIONS, ADD NOTE 2.	GB0239DB	THIRD ANGLE PROJECTION				
1	12/16/96	AJV			MODIFIED PART GEOMETRY AND ADDED MATERIAL TABLE.	GB0239DB	DRAWN BY: CJG DATE: 5/14/96 CHK: JHAC SCALE: 2X				
R	5/14/96	CJG			INITIAL RELEASE.	GB0239DB	DRAWING NUMBER: GB0239DB SHEET: 1 OF 1 SIZE: A				