

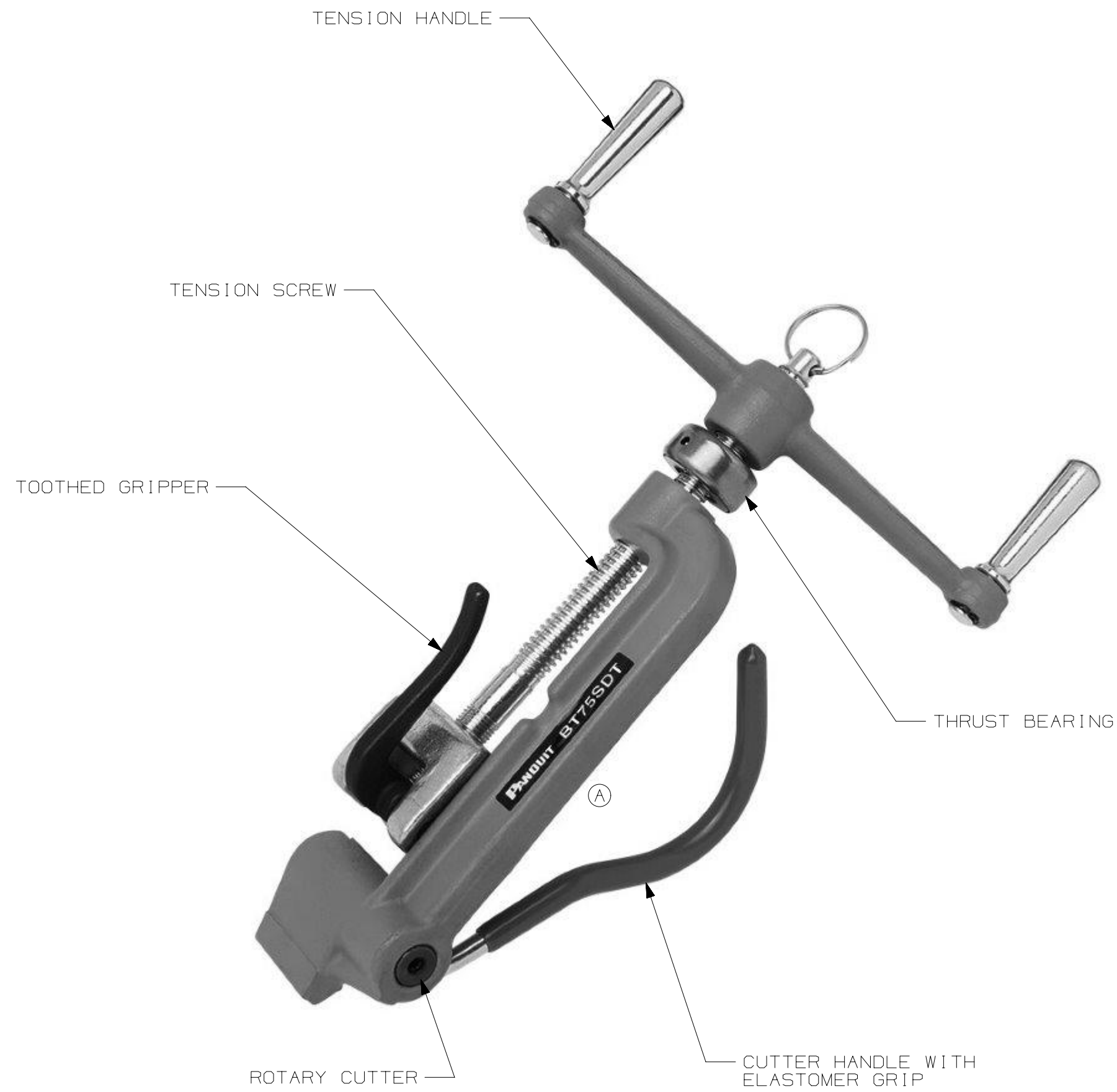
**NOTES:**

1. SPECIFICATIONS:

STROKE:	3.25 IN. (82.5 mm)
LENGTH:	11.5 IN. (292 mm)
MAX. LENGTH:	15.0 IN. (381 mm)
HANDLE WIDTH:	8.0 IN. (203 mm)
WEIGHT:	4.4 LB. (2.0 kg)
MAX APPLIED STRAP TENSION:	2500 LB. (1134 kg)
MAX HANDLE FORCE:	46 LB. (20.9 kg)
COLOR:	BLUE

2. PANDUIT BT75SDT USES:

INSTALL 0.75" (19.1MM) WIDTH STRAPPING ONLY.



							TITLE <b>BT75SDT</b>										
							CUSTOMER DRAWING										
							ITEM REVISION NAME R26069BA/02		<b>PANDUIT</b>								
							DATASET FILE NAME R26069BA_TM26069C01/01										
							UNLESS OTHERWISE SPECIFIED, DIMENSIONAL TOLERANCES ARE: 1N (mm)										
							.X ± -		.XXX ± -								
							.XX ± -		ANGLES ± -								
							THIRD ANGLE PROJECTION		DRAWING NUMBER: TM26069C01								
							DRAWN BY PWG		DATE 04-30-09		CHK ABJ		SCALE NONE		SHT 1 OF 1		SIZE C
02	2-19-16	JEH	BLR	JADE	UPDATED BRANDING (A)	9439											
REV	DATE	BY	CHK	APR	DESCRIPTION	ECN											