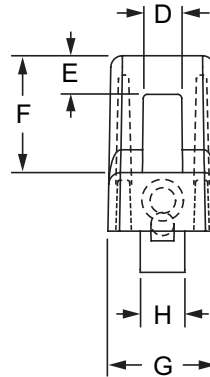
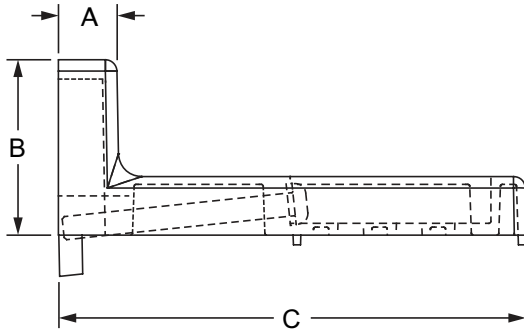


Adjustable Die-Cast Floor Bracket

- Used with wedge floor anchors (pg. 5-30); Mounts directly to T-slot profile
- Includes screw and stop plate that enables adjusting up and down without having to lift entire fixture



Part No.	Series	Material	Process	Finish	Color	A	B	C	D	E	F	G	H	Lifting Height	Weight
14001	10 25	Die Cast Zinc	Die-Casting	Powder Coated	Black	15.20mm	45.30mm	120.80mm	10.10mm	10.10mm	30.20mm	28.20mm	11.50mm	52.00mm	.2141 kg
14003	15 30 40					15.20mm	45.30mm	120.80mm	10.10mm	10.10mm	30.20mm	28.20mm	11.50mm	52.00mm	.2122 kg
14007	15 40					20.00mm	60.00mm	160.00mm	10.30mm	8.60mm	40.00mm	38.00mm	15.00mm	72.00mm	.5175 kg
14005	45					15.20mm	45.30mm	120.80mm	10.10mm	10.10mm	30.20mm	28.20mm	11.50mm	52.00mm	.2155 kg
14009	45					20.00mm	60.00mm	160.00mm	10.30mm	8.60mm	40.00mm	38.00mm	15.00mm	72.00mm	.5224 kg

Suggested Hardware (Mount to T-Slot)

Part No.	Bolt Assy.	Series	Qty.	Bolt	T-Nut
14001	3486	10	2	1/4-20 x 3/8 SHCS	Economy
14003	3493	15	2	1/4-20 x 5/8 SHCS	Economy
14007	3454	15	2	5/16-18 x 5/8 SHCS	Economy
14001	75-3520	25	2	M6 x 10mm SHCS	Economy
14003	75-3590	30	2	M6 x 10mm SHCS	Drop-In
14003	75-3593	40	2	M6 x 14mm SHCS	Drop-In
14007	75-3625	40	2	M8 x 16mm SHCS	Slide-In
14005	75-3594	45	2	M6 x 14mm SHCS	Drop-In
14009	75-3623	45	2	M8 x 16mm SHCS	Drop-In

