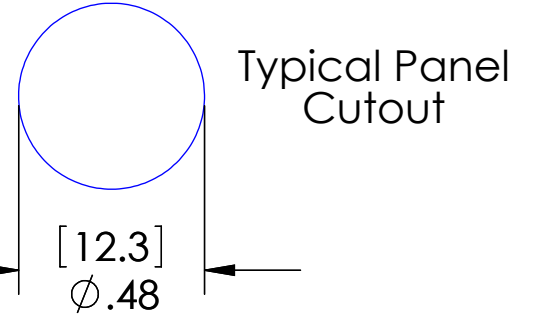
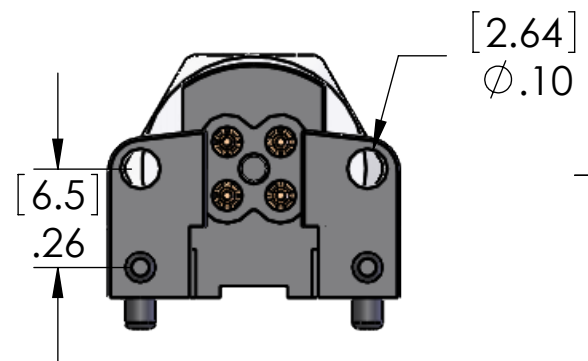
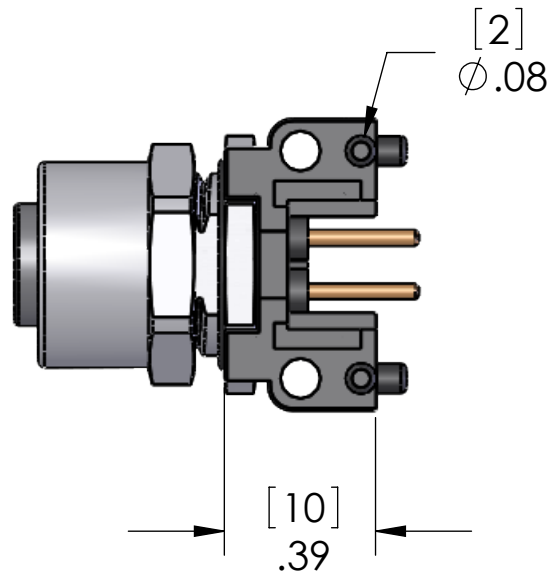
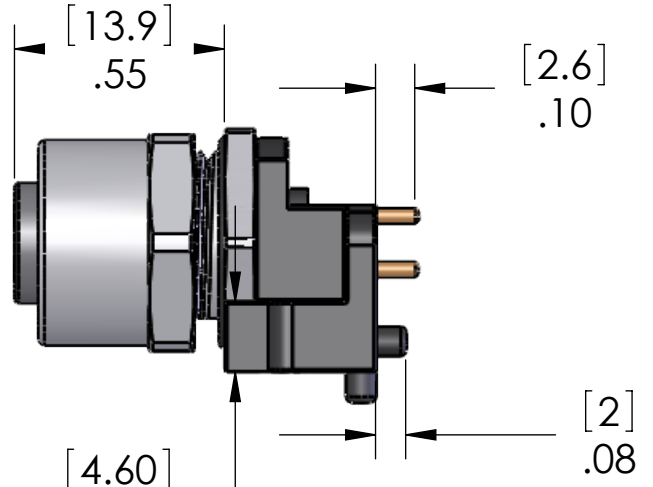
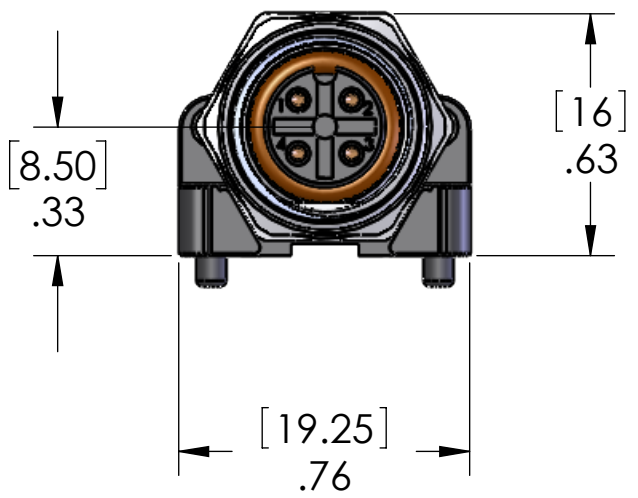
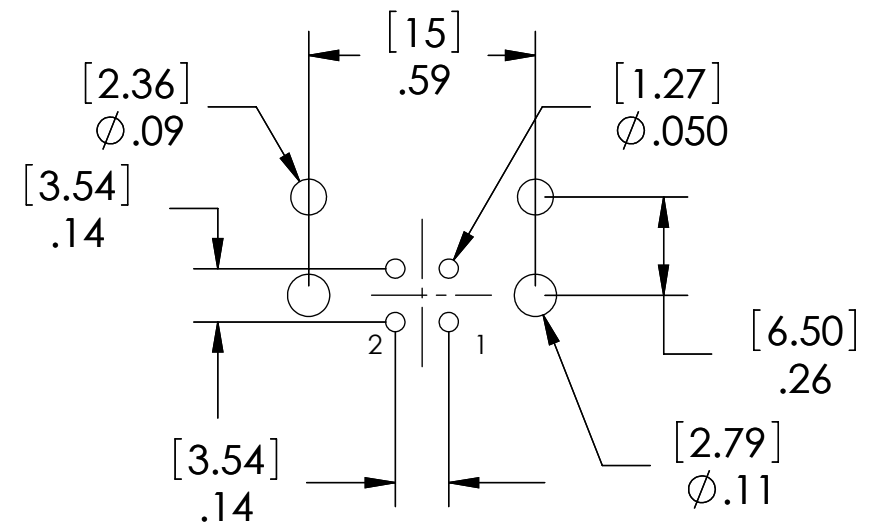


8 7 6 5 4 3 2 1

D  
C  
B  
A



Recommended MAX Panel Thickness: .12" [3]  
Recommended PCB thickness: 0.63" [1.6]



MATERIALS:	
BODY:	POLYAMIDE
METAL HDWR:	NICKEL PLATED BRASS
CONTACTS:	GOLD PLATED COPPER ALLOY
O-RING:	BUNA-N
RATINGS:	
VOLTAGE:	250V
AMPERAGE:	4A

APPROVALS:	
US	UL LISTED
CANADA	C-UL LISTED

**PROPRIETARY AND CONFIDENTIAL**  
THE INFORMATION CONTAINED IN THIS DRAWING IS THE SOLE PROPERTY OF MENCOM CORPORATION. ANY REPRODUCTION IN PART OR AS A WHOLE WITHOUT THE WRITTEN PERMISSION OF MENCOM CORPORATION IS PROHIBITED.

VOLTS	250V
AMPS	4A
TEMP:	105°C

UNLESS OTHERWISE SPECIFIED: DIMENSIONS ARE IN INCHES AND [MM]	DRAWN BY	ADM
	DRAWN DATE	09/22/2016
	CHECKED BY	
	CHECK DATE	
COMMENTS:		
MATERIAL		
FINISH		
DO NOT SCALE DRAWING		

MENCOM CORPORATION		
TITLE: 4 POL FEM MDC PCB MT		
SIZE	DWG. NO.	REV
<b>B</b>	MDC-4FR-PCB	<b>B</b>
SCALE: 2:1	WEIGHT:	SHEET 1 OF 1

8 7 6 5 4 3 2 1