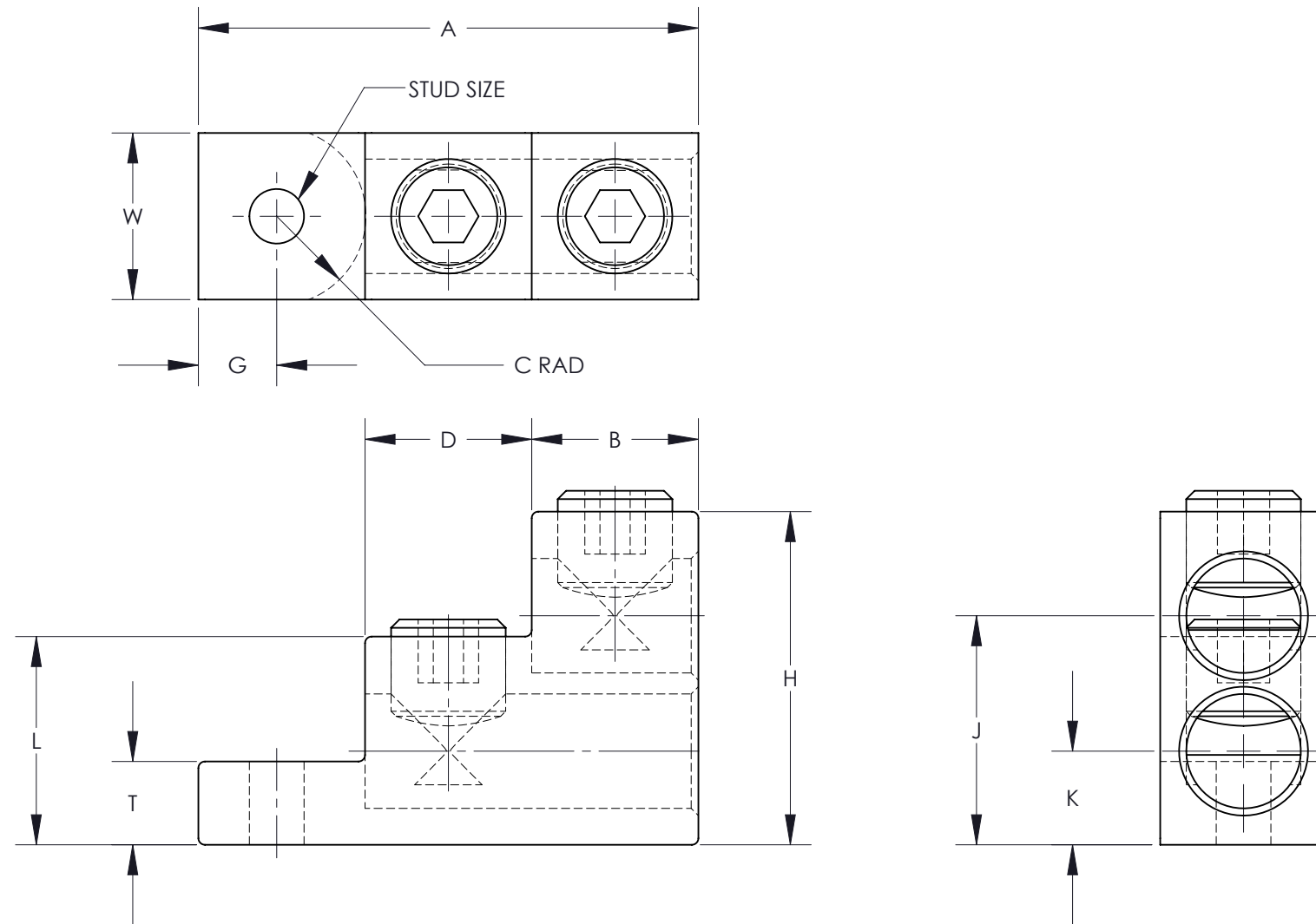


THIS COPY IS PROVIDED ON A RESTRICTED BASIS AND IS NOT TO BE USED IN ANY WAY DETRIMENTAL TO THE INTERESTS OF PANDUIT CORP.

NOTES:

1. MATERIAL:
BODY - ALUMINUM, TIN PLATED
SCREW - ALUMINUM, TIN PLATED
2. UL LISTED & CSA CERTIFIED FOR USE UP TO 600V & TEMPERATURE RATED 90°C (AL9CU)
3. DUAL RATED FOR USE WITH COPPER OR ALUMINUM STRANDED CODE CONDUCTOR
4. THESE PARTS ARE RoHS COMPLIANT
5. USE OF OXIDE INHIBITING JOINT COMPOUND LIKE PANDUIT CMP-100 RECOMMENDED FOR PAD TO PAD AND CONDUCTOR SURFACES
6. SEE INSTRUCTION SHEET T-PMPI-223-PC FOR TIGHTENING TORQUE INFORMATION
7. PKG QTY:
3 = 3



PART NUMBER	DIMENSIONS - IN [mm] +/- .02 [.5]											STUD SIZE	WIRE STRIP LENGTH	WIRE RANGE	HEX KEY*
	A	B	D	G	T	H	W	C MAX.	J	K	L				
LAM2SA300-56-3	3.00 [76.2]	1.00 [25.4]	1.00 [25.4]	.47 [11.9]	.50 [12.7]	2.00 [50.8]	1.00 [25.4]	.53 [13.5]	1.38 [35.1]	.56 [14.2]	1.25 [31.8]	5/16	1.02 [25.9]	300kcmil-6 AWG	5/16
LAM2SA300-38-3	3.00 [76.2]	1.00 [25.4]	1.00 [25.4]	.47 [11.9]	.50 [12.7]	2.00 [50.8]	1.00 [25.4]	.53 [13.5]	1.38 [35.1]	.56 [14.2]	1.25 [31.8]	3/8	1.02 [25.9]	300kcmil-6 AWG	5/16

* HEX SIZE MAY DIFFER FROM CHART. DIFFERENCE IN SIZE WILL NOT AFFECT FIT, FORM, OR FUNCTION OF PART

							TITLE LAM2SA SERIES ALUMINUM MECHANICAL LUGS CUSTOMER DRAWING	
							ITEM REVISION NAME	N41360BB/05
							DATASET FILE NAME	C41360 r05.SLDDRW
							UNLESS OTHERWISE SPECIFIED, DIMENSIONAL TOLERANCES ARE: IN [mm] .X ± .XX ±	
							MATERIAL SEE NOTES	
05	8/22	JHNU	JHNU	ALP	D. REVISED NOTE 6 TO REFERENCE INSTRUCTION SHEET T-PMPI-223-PC		125543	
04	2/13	JHNU	JHNU	RGB	REVISED TITLE BLOCK		N41360BB-C41360	
REV	DATE	BY	CHK	APR	DESCRIPTION	ECN		
		CJW						
							DATE	12/02
							CHK	
							SCALE	NONE
							DRAWING NUMBER	C41360
							SHEET 1 OF 1	SIZE B

