

Adaptor M12 male on rear / MSUD valve plug A-18mm

5-pol. A-cod.

Form A (18 mm) – M12, connector at the rear
for pressure switches

24 V DC $\pm 25\%$

LED (yellow/green)

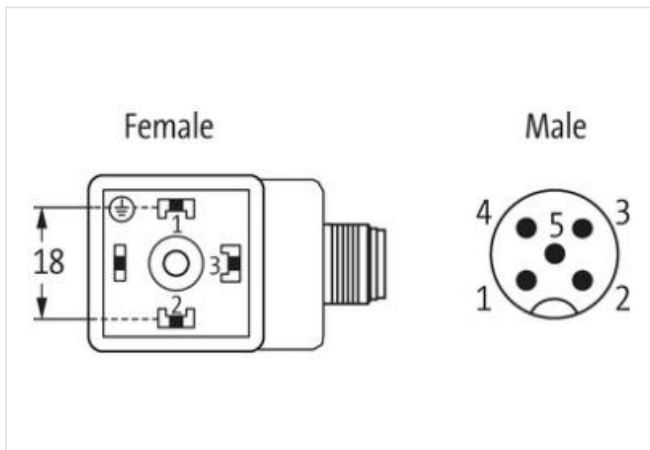
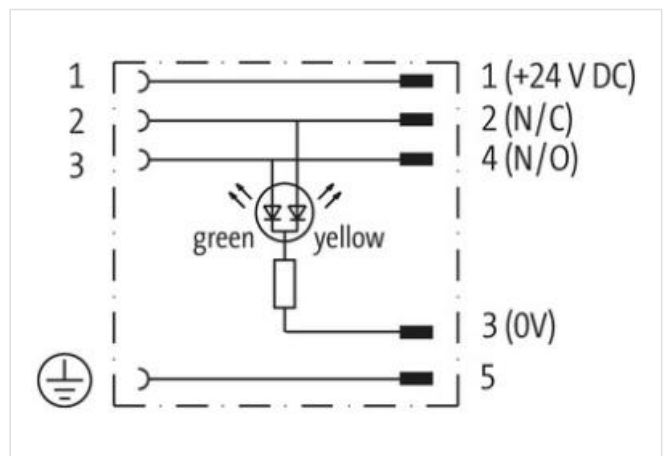
5-pole

Plastic housings with good resistance against chemicals and oils.

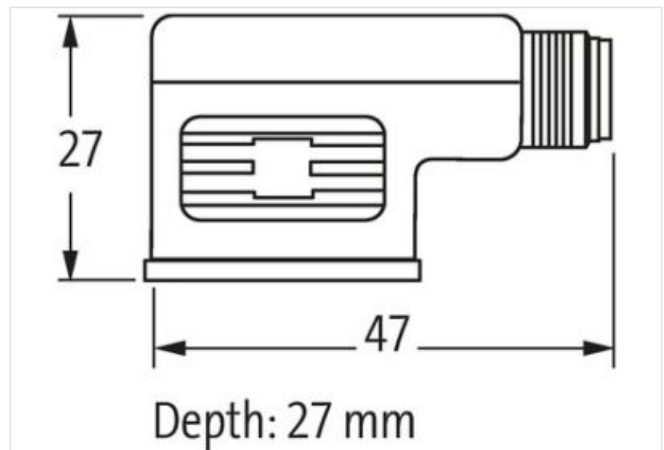
The resistance to aggressive media should be individually tested for your application. Further details on request.

Link to Product

Illustration



Product may differ from Image



Technical Data

Operating voltage	24 V DC $\pm 25\%$
Rated surge voltage	0.8 kV
Operating current per contact	max. 4 A

Locking of ports	M3/M12×1 mm (recommended torque 0.4/0.6 Nm)
Protection	IP67 inserted and tightened (EN 60529)
Configuration	3 contacts + PE

General data

Temperature range	-25...+85 °C
-------------------	--------------