

Electronic Sounders

Audio or Audible/Visual

E Series



Lumatone signals are designed to demand attention in quiet and moderate noise areas. The signal's output can be varied by controlling the applied voltage. The signal's low power consumption makes them suitable for battery operated equipment and allows them to be turned on and off by integrated circuits, SCRs and transistors.

Features and Specifications

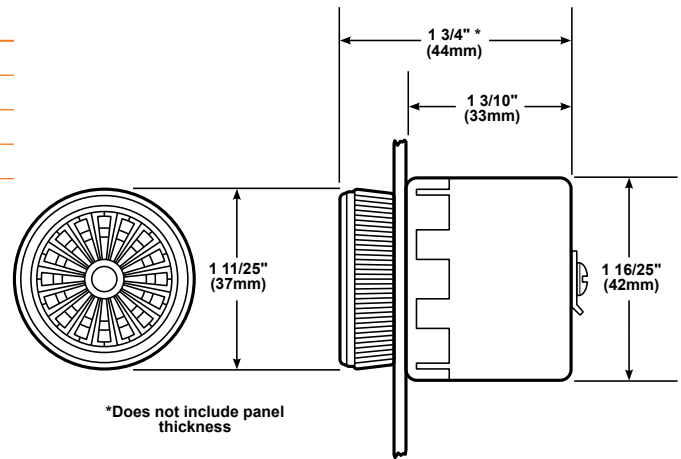
- Low cost and size
- Solid state, long life
- High impact polystyrene case
- Pulsating audio or audio/visual models available
- Terminal connections
- Operating temperature range: 32°F to 131°F (0°C to 55°C)
- Frequency: 2.8 kHz

Ordering Information

Description	Cat. No.	Operating Voltage	Current	VA	Pulsating Rate	LED Intensity
Steady Audio	E102A	12-24V DC	0.010-0.018 A	0.12-0.44	—	—
Pulsating Audio	E103A	12-24V DC	0.010-0.018 A	0.12-0.44	90-60	—
Steady Audio/Visual	E104A	12-24V DC	0.016-0.030 A	0.20-0.75	—	1.3 mcd
Pulsating Audio/Visual	E105AE	12-24V DC	0.016-0.030 A	0.20-0.75	90-60	1.3 mcd

Weights and Dimensions

Cat. No.	Approx. Net Weight (lb.)	Approx. Shipping Weight (lb.)
E102A	0.08	0.10
E103A	0.08	0.10
E104A	0.08	0.10
E105AE	0.08	0.10



Decibels vs. Voltage for Lumatone Audio Signals

Typical at Normal Temperature

