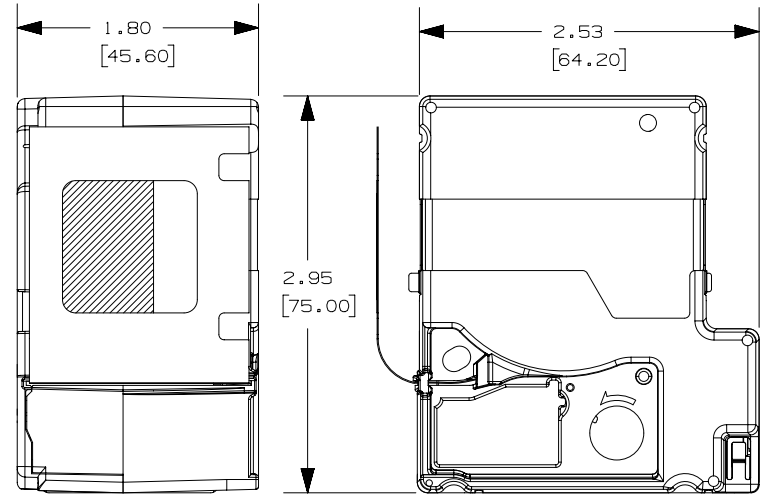
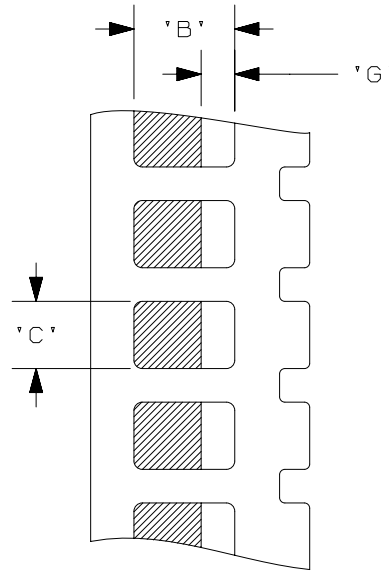


THIS COPY IS PROVIDED ON A RESTRICTED BASIS AND IS NOT TO BE USED IN ANY WAY DETRIMENTAL TO THE INTERESTS OF PANDUIT CORP.

MP CASSETTE PART NO.	'B'	'C'	'G' +/- .062 [1.57]	POA COLOR	CASSETTE LABELS/ROLL
S050X075VAM	0.750 [19.1]	0.500 [12.7]	0.250	WHITE	425



REV	DATE	BY	CHK	APR	DESCRIPTION	ECN
00	9/20/19	RVU	JW	JHAC	DRAWING RELEASE.	GAECN04941

TITLE		MP SELF-LAMINATING LABELS		
ITEM REVISION NAME		CUSTOMER DRAWING		
DATASET FILE NAME		100743XL/00		
		100743XL_DC/00A		
UNLESS OTHERWISE SPECIFIED, DIMENSIONAL TOLERANCES ARE: IN [mm]		 GMV17-E MATERIAL:		
.x ± .1 [2.54] .xxx ± .025 [.635]				
.xx ± .05 [1.27] ANGLES ± 5				
DRAWN BY		DATE		THIRD ANGLE PROJECTION
RVU	7/11/19	CHK	JHAC	SCALE
DESCRIPTION		NTS		DRAWING NUMBER:
SHT 1 OF 1		A		100743XL_DC

D10100DA/20