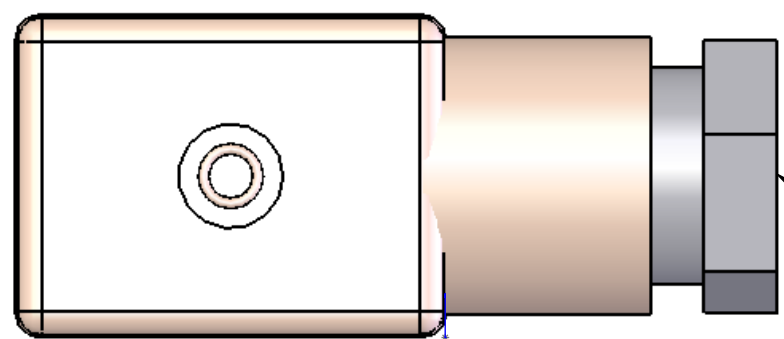
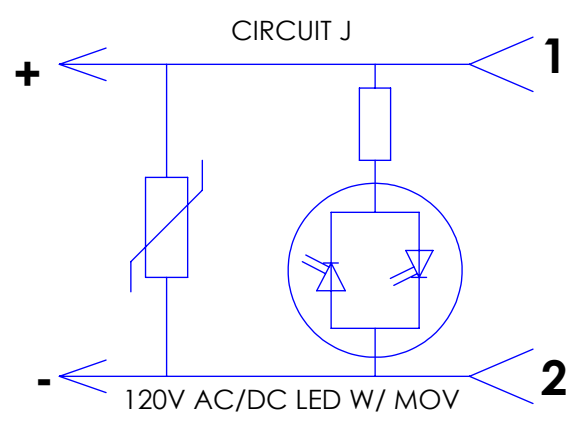
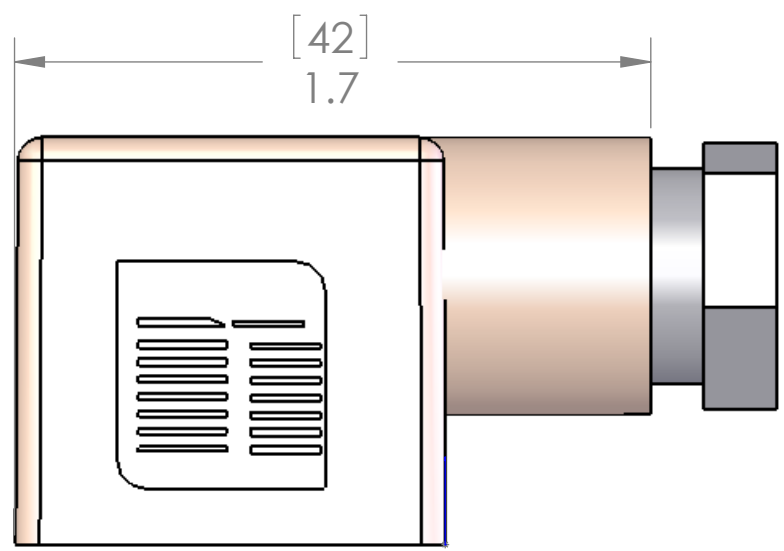


REVISIONS			
REV.	DESCRIPTION	DATE	APPROVED
A	REDRAWN IN SW	2/12/2009	BEM

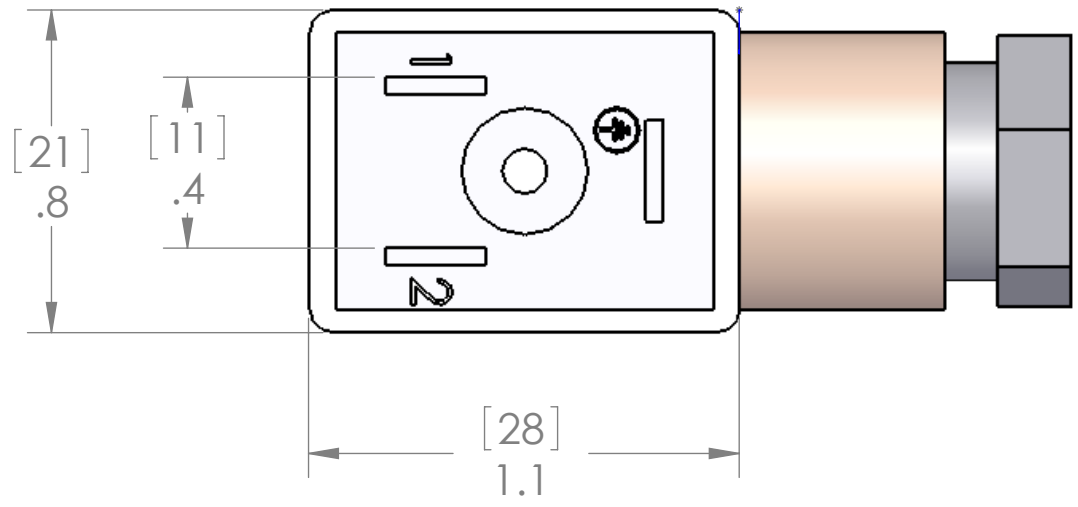


PG9 - FOR 6 TO 8 MM DIA. CABLES



NOTE: GASKET AND SCREW INCLUDED WITH PART BUT NOT SHOWN ON PRINT FOR CLARITY

MATERIALS:	
BODY:	TRANSLUCENT POLYAMIDE
CONTACT:	COPPER ALLOY SILVER PLATED
GASKET:	THERMOPLASTIC
SCREW:	STEEL ZINC PLATE
TEMP:	-40°C TO +125°C
PROTECTION:	IP65



UNLESS OTHERWISE SPECIFIED:
DIMENSIONS ARE IN INCHES & [MM]

DRAWN	NAME
CHECKED	CAM
ENG APPR.	
MFG APPR.	
Q.A.	
COMMENTS:	

MATERIAL

FINISH

DO NOT SCALE DRAWING

PROPRIETARY AND CONFIDENTIAL
THE INFORMATION CONTAINED IN THIS DRAWING IS THE SOLE PROPERTY OF MENCOM CORPORATION. ANY REPRODUCTION IN PART OR AS A WHOLE WITHOUT THE WRITTEN PERMISSION OF MENCOM CORPORATION IS PROHIBITED.

MENCOM CORPORATION		
TITLE:		
SIZE	DWG. NO.	REV
B	VDJ-029-00	A
SCALE: 2:1	WEIGHT:	SHEET 1 OF 1