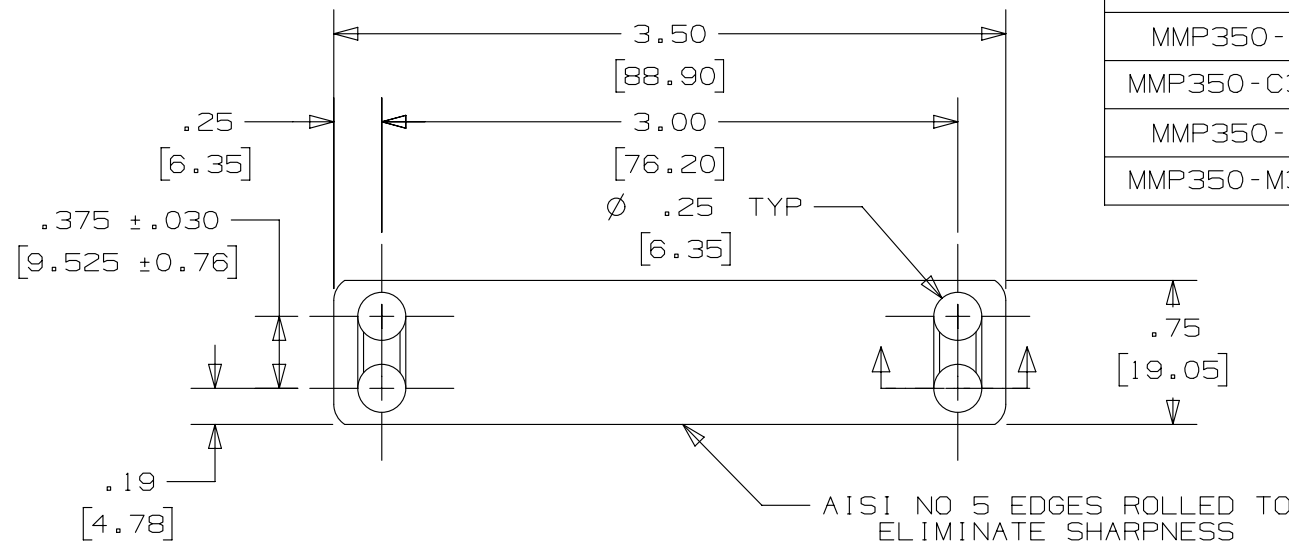
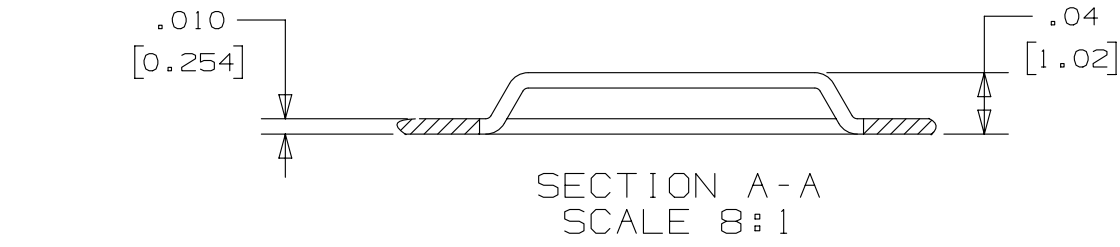


THIS COPY IS PROVIDED ON A RESTRICTED BASIS AND IS NOT TO BE USED IN ANY WAY DETRIMENTAL TO THE INTERESTS OF PANDUIT CORP.



PART NUMBER	MATERIAL	PACKAGE QTY
MMP350-C	304 SS	100
MMP350-C316	316 SS	100
MMP350-M	304 SS	1000
MMP350-M316	316 SS	1000



NOTES:

- DIMENSIONS IN BRACKETS () ARE METRIC.
- CUSTOM PERMANENT MARKING AVAILABLE. CONSULT FACTORY.
- USE WITH STANDARD SERIES CROSS SECTION MLT'S.
- TOLERANCES (UNLESS OTHERWISE SPECIFIED)
 .xxx = ±.020 (.51)
 .xx = ±.03 (.8)

REV	DATE	BY	CHK	APR	DESCRIPTION	ECN
06A	12/12	JAMB	MIM	RGRO	UPDATE DRAWING TO NEW PANDUIT GLOBAL TITLE BLOCK WITH PANDUIT LOGO	SSECN01031
05A	12/12	MIM	RGRO	---	1. ADDED HOLE SPACING DIM 3.00 [76.20] 2. ADDED HOLE LOCATION DIM .25 [6.35] 3. ADD HOLE SPACING DIM .375 +/- .030 [9.525 +/- .76] 4. ADDED HOLE LOCATION DIM .19 [4.79]	-----
04A	08/08	JAMB	SKB	---	ORIG CAD FILE SPEC WAS S41044_04.REMOVED NOTE 5. ADDED PACKAGE QTY TO TABLE. ADDED PART NO'S FOR BULK QTY 1000 MARKER PLATES	-----
04	01/01	KMD	JD	---	ADDED NOTE 5. CAD FILE SPEC WAS N41044_PCD_03	07257
03	11/98	JKD	SM	---	ADDED NOTE 4. MAT'L WAS 302/304 FOR MMP350	05241

TITLE				
STANDARD METAL MARKER PLATE				
CUSTOMER DRAWING				
ITEM REVISION NAME		N41044BS/06		
DATASET FILE NAME		N41044BS_DC/06A		
UNLESS OTHERWISE SPECIFIED, DIMENSIONAL TOLERANCES ARE: IN [mm]			MATERIAL:	
.x ± .1 [2.54] .xxx ± .005 [.127]			SEE NOTES	
.xx ± .01 [.25] ANGLES ± 5 °			DRAWING NUMBER:	
			N41044BS_DC	
DRAWN BY	DATE	CHK	SCALE	SIZE
SAM	02/04/91	LM	NTS	A
SHT 1 OF 1				