

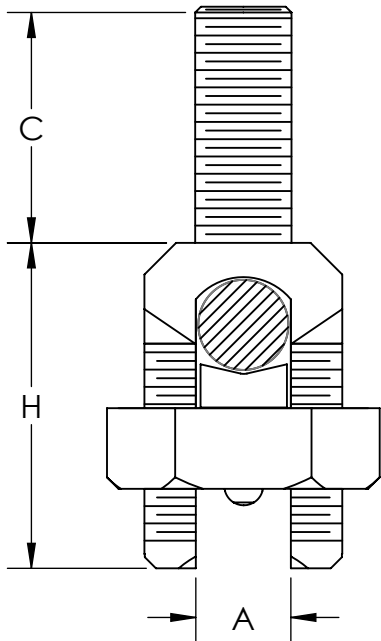
THIS COPY IS PROVIDED ON A RESTRICTED BASIS AND IS NOT TO BE USED IN ANY WAY DETRIMENTAL TO THE INTERESTS OF PANDUIT CORP.

NOTES:

1. MALE STUD CONNECTORS USED FOR GROUNDING ONE COPPER CODE CONDUCTOR TO STEEL STRUCTURES, BUSBARS, OR TRANSFORMERS.
2. MATERIAL: COMMERCIAL BRONZE
80% MIN. COPPER CONTENT
3. SEE www.PANDUIT.com FOR PACKAGE QUANTITIES.



DB
RATED



PANDUIT PART NUMBER	CONDUCTOR RANGE AWG	STUD SIZE	HEX NUT WRENCH SIZE	TIGHTENING TORQUE	A	STUD LENGTH C	H
GSP1-12-6	12 SOL - 6 STR	1/4" UNC	11/16"	165 IN-LB	0.22 [5.5]	0.83 [21.0]	0.87 [22.0]
GSP1-10-4	10 SOL - 4 STR	5/16" UNC	13/16"	275 IN-LB	0.32 [8.0]	0.83 [21.0]	1.06 [27.0]
GSP1-6-2	6 SOL - 2 STR	3/8" UNC	13/16"	275 IN-LB	0.32 [8.0]	0.83 [21.0]	1.06 [27.0]
GSP1-4-2/0	4 SOL - 2/0 STR	3/8" UNC	1-1/16"	385 IN-LB	0.43 [11.0]	0.83 [21.0]	1.32 [33.5]

REV	DATE	BY	CHK	APR	DESCRIPTION	ECN
00	12/15	JHNU	RLS	RGB	DRAWING RELEASED	14J190BA-DC

TITLE BRONZE MALE SERVICE POST CONNECTOR FOR ONE CONDUCTOR - GSP1 SERIES CUSTOMER DRAWING	
ITEM REVISION NAME	14J190BA/00
DATASET FILE NAME	14J190BA-DC/00.SLDDRW
UNLESS OTHERWISE SPECIFIED, DIMENSIONAL TOLERANCES ARE: IN [mm] .X ± .XXX ± .XX ± .06 [1.5] ANGLES ±	
THIRD ANGLE PROJECTION	
DRAWING NUMBER 14J190BA-DC	
DRAWN BY JHNU	DATE 12/15
CHK RLS	SCALE N/A
SHEET 1 OF 1	
SIZE A	



MATERIAL
SEE NOTES