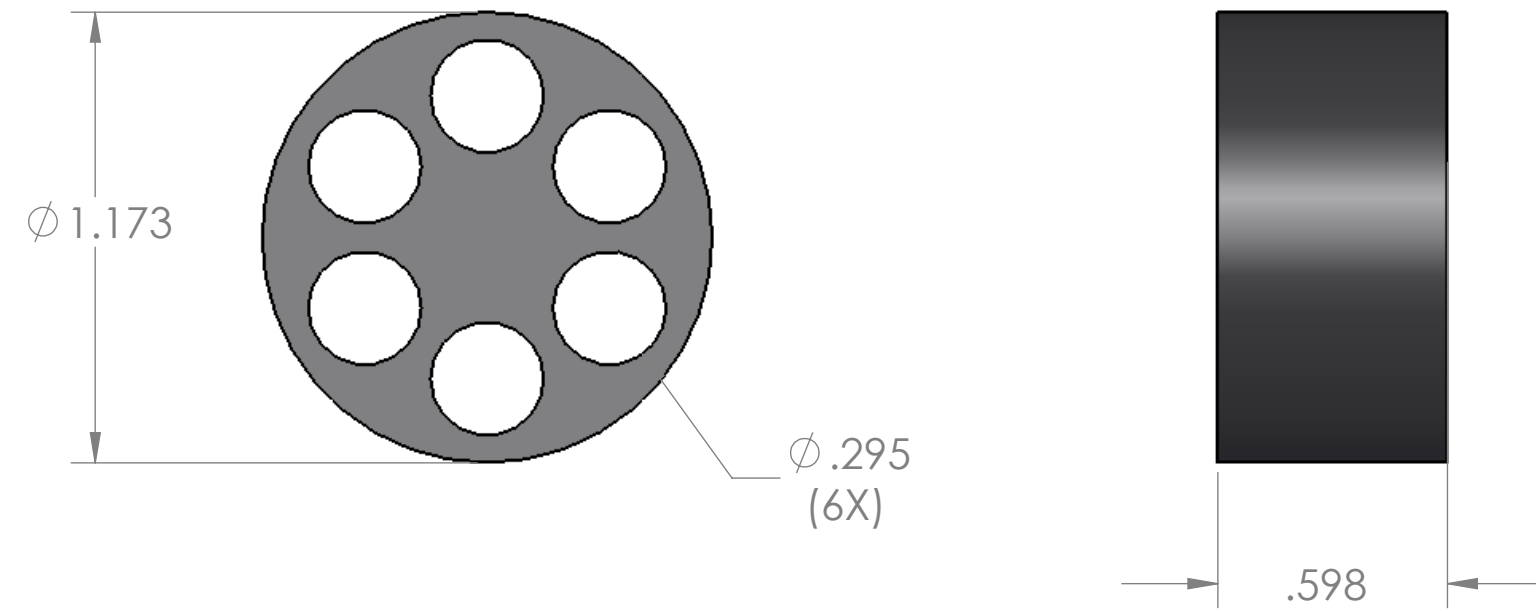


REVISIONS			
REV.	DESCRIPTION	DATE	APPROVED
A	REDRAWN IN SW	2/28/2005	



CAN BE USED IN:
MCG-29
MCG-29R
PCG-29
PCG-29-B
PCG-29R
PCG-29R-B
PCG-1.0
PCG-1.0-B
PCG-1.0R
PCG-1.0R-B
PCG-M32
PCG-M32-B

MATERIAL: TPE

PROPRIETARY AND CONFIDENTIAL
 THE INFORMATION CONTAINED IN THIS DRAWING IS THE SOLE PROPERTY OF MENCOM CORPORATION. ANY REPRODUCTION IN PART OR AS A WHOLE WITHOUT THE WRITTEN PERMISSION OF MENCOM CORPORATION IS PROHIBITED.

TO OBTAIN IP65 SEAL IN ONE OF THE LISTED CABLE GLANDS, THE O.D. OF THE CABLE MUST BE WITHIN .02" OF THE HOLE DIAMETERS

UNLESS OTHERWISE SPECIFIED:		NAME		MENCOM CORPORATION	
DIMENSIONS ARE IN INCHES		DRAWN	BEM		
TOLERANCES:		CHECKED		TITLE:	
FRACTIONAL ± 1/64		ENG APPR.			
ANGULAR: MACH ± 5° BEND ± 5°		MFG APPR.		SIZE DWG. NO. REV	
TWO PLACE DECIMAL ± .01		Q.A.			
THREE PLACE DECIMAL ± .004		COMMENTS:		SCALE: 4:1 WEIGHT: SHEET 1 OF 1	
MATERIAL					
FINISH					
DO NOT SCALE DRAWING					