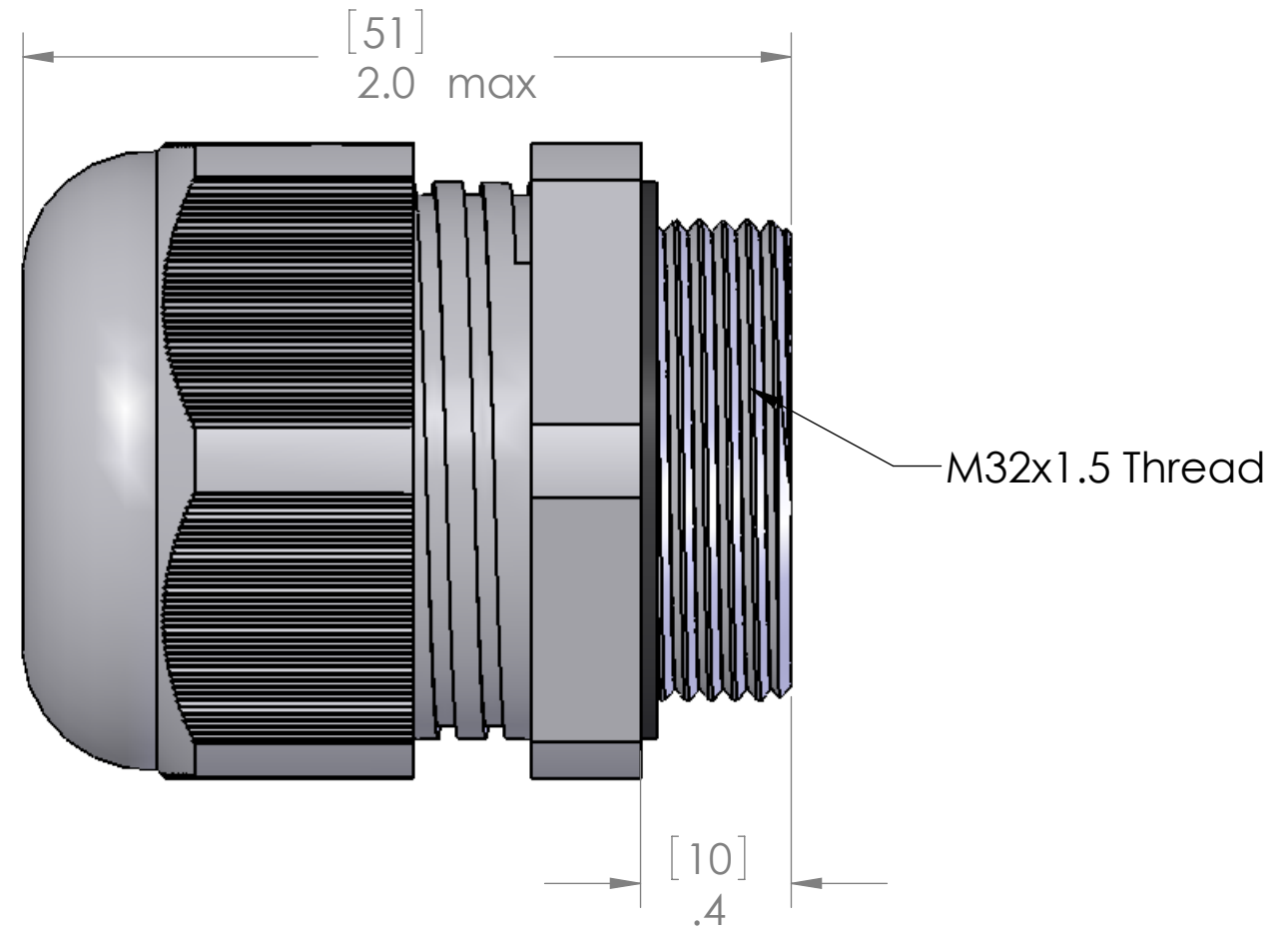
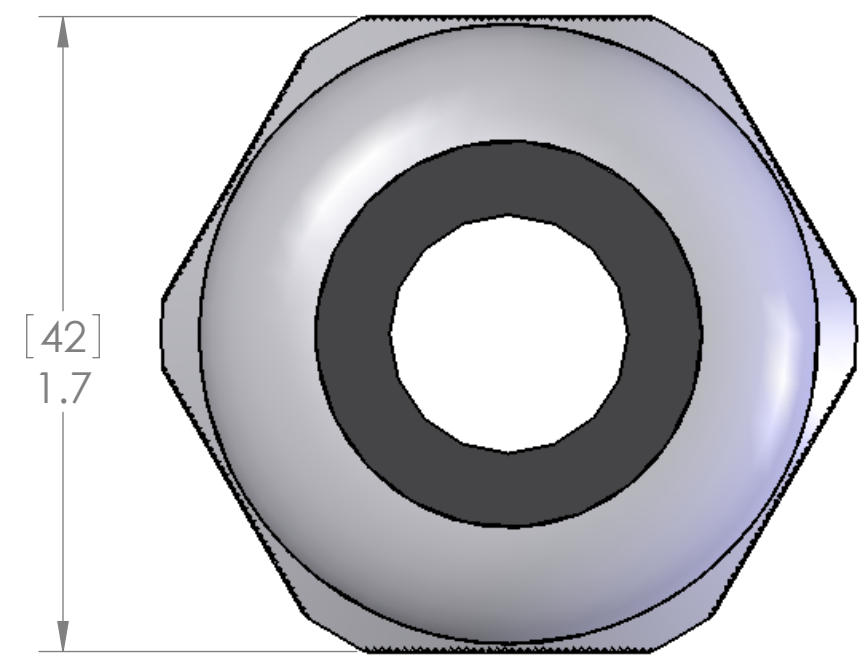


REVISIONS		
REV.	DESCRIPTION	DATE
A	REDRAWN IN SW	2/25/2005



LOCK NUT INCLUDED BUT NOT SHOWN

SEAL RATED TO: IP68

MATERIALS	
BODY:	GRAY OR BLACK POLYAMIDE
GROMMET:	NBR & TPE
GASKET:	NBR

PART NUMBER	COLOR	SEALING RANGE
PCG-M32	GRAY	18-25mm
PCG-M32R	GRAY	12-20mm
PCG-M32-B	BLACK	18-25mm
PCG-M32R-B	BLACK	12-20mm

SPECIFICATIONS:	
TIGHTENING TORQUE:	7.5 Nm
TEMPERATURE:	-20°C - +100°C

APPROVALS:	
US	UL RECOGNIZED
CANADA	C-UL RECOGNIZED

PROPRIETARY AND CONFIDENTIAL
 THE INFORMATION CONTAINED IN THIS DRAWING IS THE SOLE PROPERTY OF MENCOM CORPORATION. ANY REPRODUCTION IN PART OR AS A WHOLE WITHOUT THE WRITTEN PERMISSION OF MENCOM CORPORATION IS PROHIBITED.

UNLESS OTHERWISE SPECIFIED: DIMENSIONS ARE IN INCHES	DRAWN	NAME	MENCOM CORPORATION
	CHECKED	BEM	
	ENG APPR.		
	MFG APPR.		
	Q.A.		
	COMMENTS:		
MATERIAL			TITLE:
FINISH			SIZE DWG. NO. REV
			B PCG-M32 A
SPECIFICATIONS	DO NOT SCALE DRAWING		SCALE: 2:1 WEIGHT: SHEET 1 OF 1