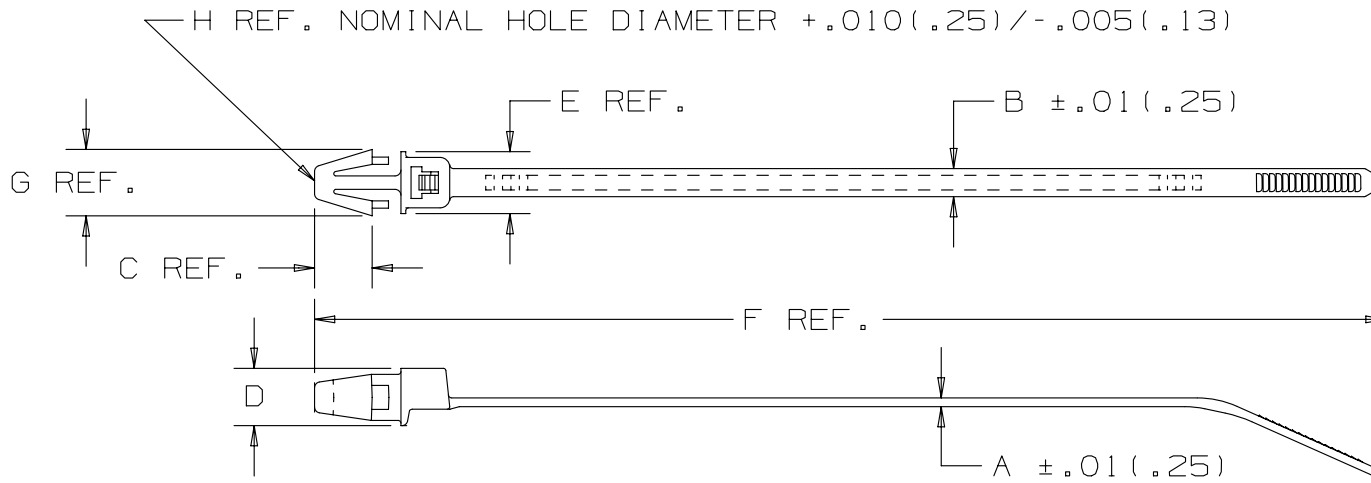


THIS COPY IS PROVIDED ON A RESTRICTED BASIS AND IS NOT TO BE USED IN ANY WAY DETRIMENTAL TO THE INTERESTS OF PANDUIT CORP.



PANDUIT* PART NO.	BUNDLE DIA.		A in (mm)	B in (mm)	C in (mm)	D in (mm)	E in (mm)	F in (mm)	G in (mm)	H in (mm)	MAX. PANEL THICKNESS in (mm)	MIN. LOOP TENSILE lbs (N)	CROSS SECTION	WEIGHT 100 pcs lbs (g)
	MIN. in (mm)	MAX. in (mm)												
PLP1S	.06 (1.5)	1.00 (25.4)	.050 (1.3)	.190 (4.8)	.300 (7.6)	.354 (9.0)	.370 (9.4)	5.3 (135)	.330 (8.4)	.250 (6.4)	.125 (3.2)	50 (222)	STANDARD	.24 (109)
PLP1.5S	.06 (1.5)	1.50 (38.1)	.050 (1.3)	.190 (4.8)	.300 (7.6)	.354 (9.0)	.370 (9.4)	6.7 (170)	.330 (8.4)	.250 (6.4)	.125 (3.2)	50 (222)	STANDARD	.29 (132)
PLP2S	.06 (1.5)	1.75 (44.5)	.050 (1.3)	.190 (4.8)	.300 (7.6)	.354 (9.0)	.370 (9.4)	7.88 (200)	.330 (8.4)	.250 (6.4)	.125 (3.2)	50 (222)	STANDARD	.32 (145)

NOTES:

*1) SEE www.panduit.com FOR PART NUMBER SUFFIX DESIGNATION FOR PACKAGE SIZE, PART MATERIAL, PART COLOR AND ANY THIRD PARTY RECOGNITION OR COMPLIANCE.

2) SEE DRAWING SS-26888(A) FOR PLP1.5I.

DIMENSIONS IN PARENTHESES ARE IN METRIC UNITS

REV	DATE	BY	CHK	APR	DESCRIPTION	ECN	TITLE	ITEM REVISION NAME	DATASET FILE NAME	MATERIAL:	DRAWING NUMBER:	
							STRAP, PUSH MOUNT-PLP	SS-26803/AB	SS-26803_DC/AB SS-26803_REV07	NYLON 6.6	SS-26803	
							CUSTOMER DRAWING					
							UNLESS OTHERWISE SPECIFIED, DIMENSIONAL TOLERANCES ARE: IN (mm)					
							.x ± .1 [2.5] .xxx ± .020 [.51] .xx ± .02 [.5] ANGLES ± - - - -					
07	11/04/14	BWG	MPH	JADE	CHANGED "B" DIMENSION TO .190 AND UPDATED TITLE BORDER AND NOTES. SEE ECN FOR COMPLETE DETAILS.	SS-26803/07	THIRD ANGLE PROJECTION					
							DRAWN BY RAM	DATE 4/27/93	CHK HVP	SCALE NONE	SHT 1 OF 1	SIZE A