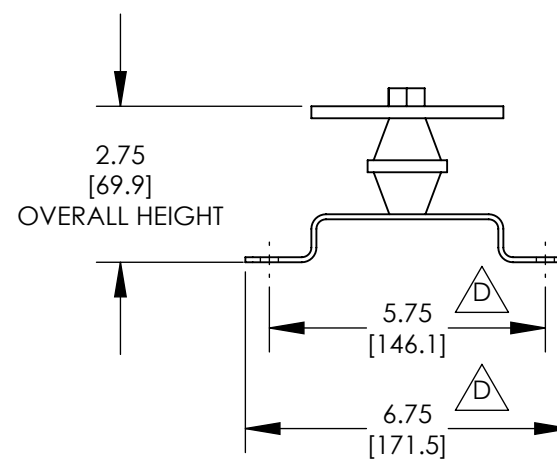
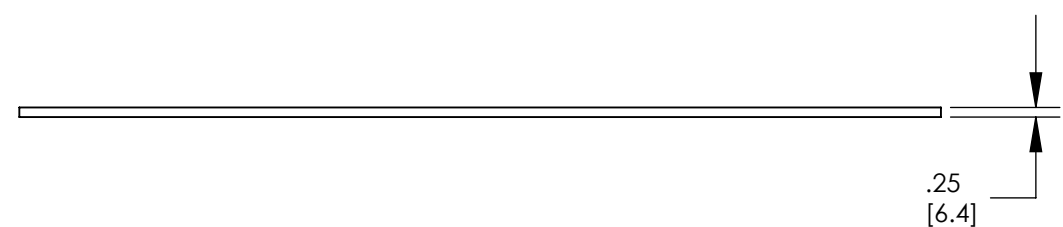
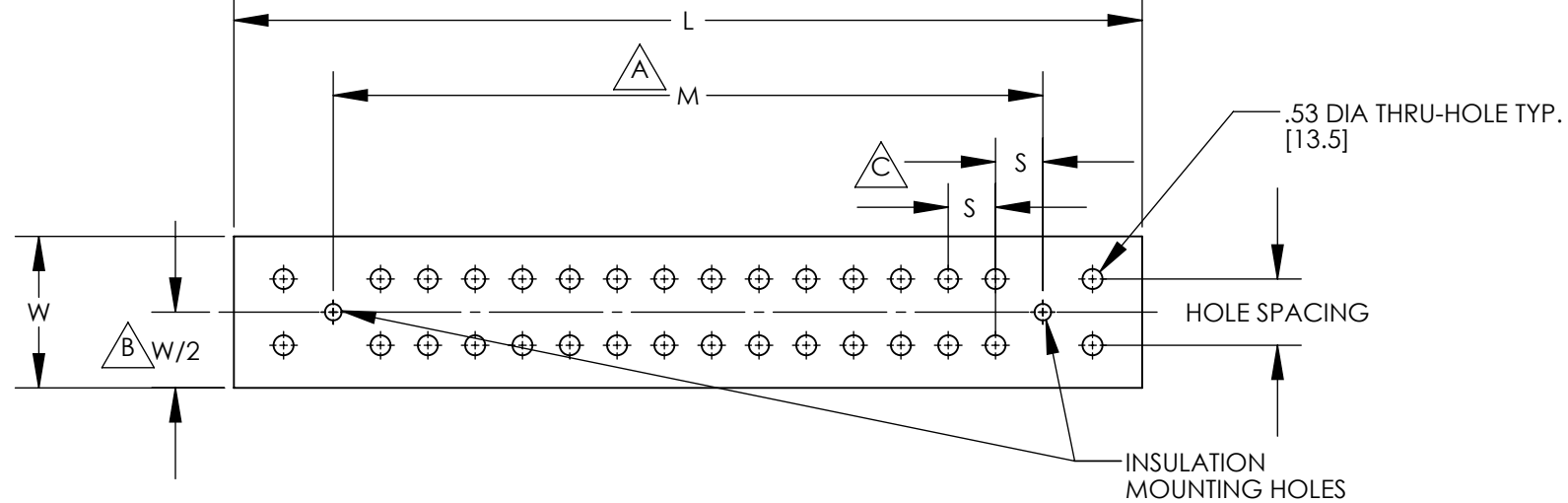


THIS COPY IS PROVIDED ON A RESTRICTED BASIS AND IS NOT TO BE USED IN ANY WAY DETRIMENTAL TO THE INTERESTS OF PANDUIT CORP.

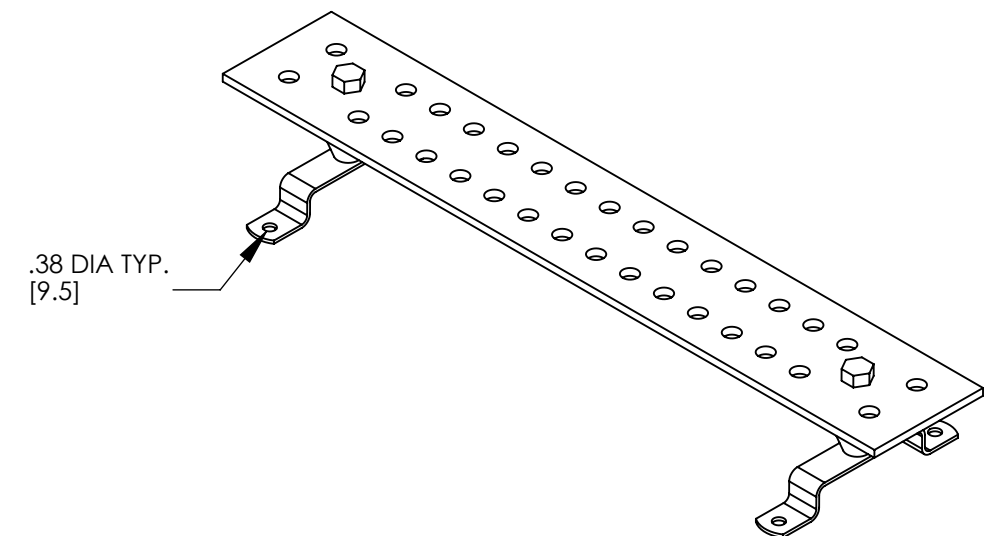


NOTES:

1. KIT COMES FULLY ASSEMBLED
2. KIT INCLUDES BUSBAR, MOUNTING BRACKETS, INSULATORS, AND MOUNTING HARDWARE.
3. DIMENSIONS IN PARENTHESIS ARE MILLIMETERS.



PANDUIT PART NUMBER	DIMENSIONS - IN [mm]					HOLE PATTERN INFORMATION			MOUNTING BRACKET HARDWARE	MOUNTING KIT QUANTITY
	L	M	W	W/2	S	HOLE SIZE	HOLE SPACING	# OF HOLE SETS		
GB4N0007TPI-1	12.00 [304.8]	7.50 [190.5]	4.00 [101.6]	2.00 [50.8]	1.25 [31.8]	1/2" [12.7]	1.75 [44.5]	7	BUTTON HEAD SCREW	2
GB4N0016TPI-1	24.00 [609.6]	18.75 [476.3]	4.00 [101.6]	2.00 [50.8]	1.25 [31.8]	1/2" [12.7]	1.75 [44.5]	16	BUTTON HEAD SCREW	2
GB4N0024TPI-1	36.00 [914.4]	18.75 [476.3]	4.00 [101.6]	2.00 [50.8]	1.25 [31.8] 1.38 [34.9]	1/2" [12.7] 1/2" [12.7]	1.75 [44.5]	14 10	BUTTON HEAD SCREW	2
GB4N0026TPI-1	48.00 [1219.2]	18.75 [476.3]	4.00 [101.6]	2.00 [50.8]	1.56 [39.6]	1/2" [12.7]	1.75 [44.5]	26	HEX BOLT	3
GB4N0034TPI-1	60.00 [1524.0]	18.75 [476.3]	4.00 [101.6]	2.00 [50.8]	1.56 [39.6]	1/2" [12.7]	1.75 [44.5]	34	HEX BOLT	3



ASSEMBLED AS SHOWN

REV	DATE	BY	CHK	APR	DESCRIPTION	ECN
06	10/22	JHNU	JHNU	JADE	D. ADDED MOUNTING BRACKET DIMENSIONS C. ADDED ADDITIONAL "S" DIMENSION	126787
05	8/22	JHNU	JHNU	ALP	B. ADDED "W/2" MOUNTING HOLE DISTANCE DIMENSION A. ADDED "M" MOUNTING HOLE DISTANCE DIMENSION	125516

TITLE		NEMA SPACING GROUNDING BUSBARS	
CUSTOMER DRAWING			
ITEM REVISION NAME	N41740BA/06		
DATASET FILE NAME	C41740 r06.SLDDRW		
UNLESS OTHERWISE SPECIFIED, DIMENSIONAL TOLERANCES ARE: IN [mm]		MATERIAL	
.X ±	.XXX ±		DRAWING NUMBER C41740
.XX ±	ANGLES ±		
THIRD ANGLE PROJECTION		DRAWN BY JHNU	
DATE 1/08	CHK DWDA	SCALE NONE	SHEET 1 OF 1
			SIZE B