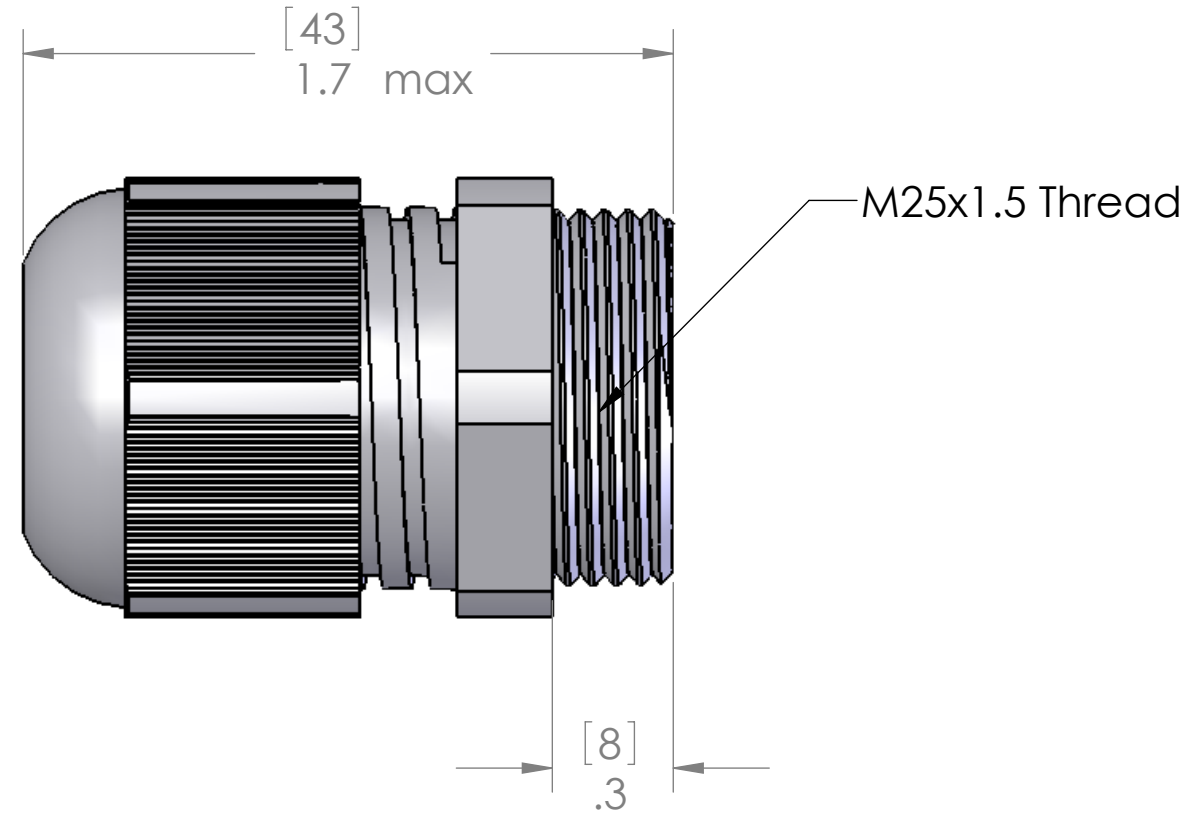
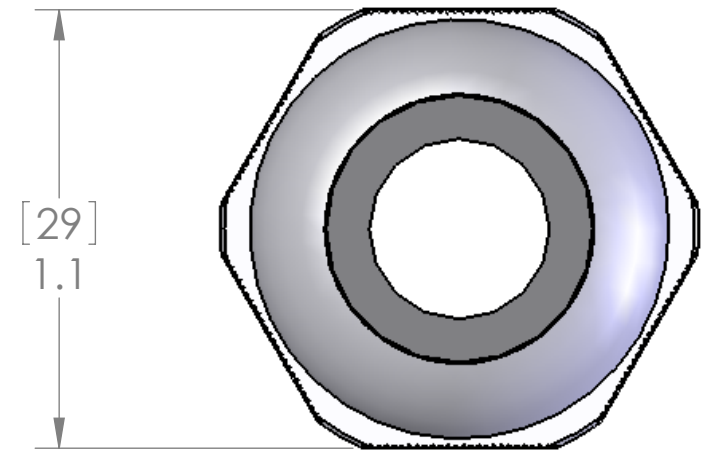


REVISIONS		
REV.	DESCRIPTION	DATE
A	REDRAWN IN SW	2/25/2005



LOCK NUT INCLUDED BUT NOT SHOWN

NO O-RING IS NECESSARY TO OBTAIN IP68 SEAL.
CRUSH RIBS ON THE UNDERSIDE OF HEX WILL
PROVIDE THE SEAL.

SEAL RATED TO: IP68

MATERIALS	
BODY:	GRAY OR BLACK POLYAMIDE
GROMMET:	CR/NBR / OUTER PART TPE / INNER PART

SPECIFICATIONS:	
TIGHTENING TORQUE:	5.0 Nm
TEMPERATURE:	-20°C - +100°C

APPROVALS:	
US	UL RECOGNIZED
CANADA	C-UL RECOGNIZED

PART NUMBER	COLOR	SEALING RANGE
PCGU-M25	GRAY	8-17mm
PCGU-M25-B	BLACK	8-17mm

PROPRIETARY AND CONFIDENTIAL
THE INFORMATION CONTAINED IN THIS
DRAWING IS THE SOLE PROPERTY OF
MENCOM CORPORATION. ANY
REPRODUCTION IN PART OR AS A WHOLE
WITHOUT THE WRITTEN PERMISSION OF
MENCOM CORPORATION IS
PROHIBITED.

UNLESS OTHERWISE SPECIFIED:
DIMENSIONS ARE IN INCHES

MATERIAL

FINISH

DO NOT SCALE DRAWING

NAME	BEM
DRAWN	
CHECKED	
ENG APPR.	
MFG APPR.	
Q.A.	
COMMENTS:	

MENCOM CORPORATION		
TITLE: PLASTIC CABLE GLAND M25		
SIZE	DWG. NO.	REV
B	PCGU-M25	A
SCALE: 2:1	WEIGHT:	SHEET 1 OF 1