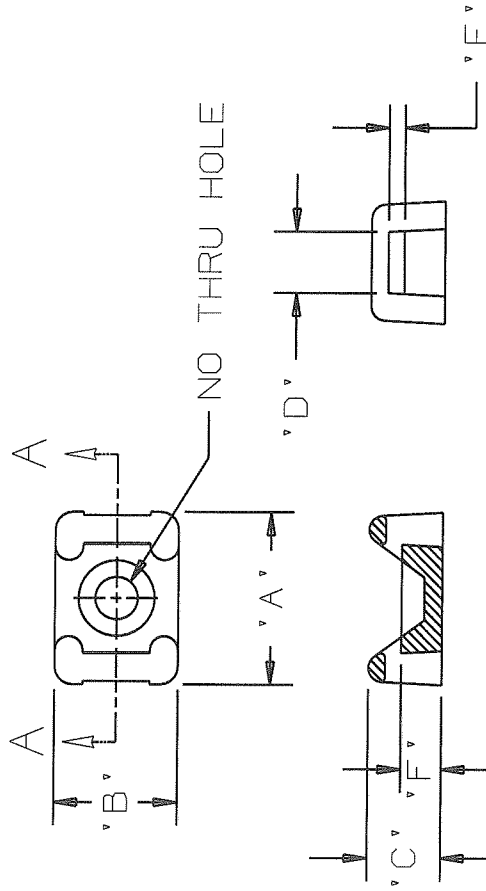


THIS COPY IS PROVIDED ON A RESTRICTED BASIS AND IS NOT TO BE USED IN ANY WAY DETRIMENTAL TO THE INTERESTS OF PANDUIT CORP.

PANDUIT PART NO.	MATERIAL SUFFIX	'A'	'B'	'C'	'D'	'E'	'F'	USE WITH THESE CABLE TIE CROSS SECTIONS	WEIGHT (g) lbs/100 pcs.
TM1A	NONE	.513 (13.0)	.316 (8.0)	.230 (5.8)	.130 (3.3)	.067 (1.7)	.125 (3.2)	MINIATURE ONLY	.07 (31.8)
TM2A	NONE -39	.630 (16.0)	.425 (10.8)	.275 (7.0)	.215 (5.5) ±.020 ±(.5)	.060 (1.5) ±.020 ±(.5)	.155 (3.9)	MINIATURE INTERMEDIATE STANDARD	.15 (67.9)
TM3A	NONE	.875 (22.2)	.620 (15.8)	.375 (9.5)	.320 (8.1) ±.020 ±(.5)	.088 (2.2) ±.020 ±(.5)	.210 (5.3)	MINIATURE INTERMEDIATE STANDARD LIGHT HEAVY	.36 (163.4)



SECTION A - A

MATERIAL SUFFIX	MATERIAL	COLOR
NONE	NYLON 6/6	NATURAL
-39	HEAT STABILIZED NYLON	NATURAL

NOTE:

- SEE CURRENT PRICE SHEET FOR PART NUMBER SUFFIX DESIGNATION FOR PACKAGE SIZE.
- CUSTOMER MUST SUPPLY ADHESIVE FOR FASTENING.

DIMENSIONS IN BRACKETS ARE METRIC [mm]

CAD FILENAME/LAYERS G03597JV_DC_GB0239CM/00B



TINLEY PARK, ILLINOIS

TIE MOUNT - TM_A

UNLESS OTHERWISE SPECIFIED, DIMENSIONAL TOLERANCES ARE:
(.X) ±0.05 (1.3) (1.XXX) ±0.010 (0.25)
(.XX) ±0.02 (0.5) ANGLES ± 5°

UNLESS OTHERWISE SPECIFIED, ALL DIMENSIONS ARE GIVEN IN INCHES, THIRD ANGLE PROJECTION.

SCALE NONE

MATERIAL:
NYLON 6/6
NATURAL

DRAWN BY GDH

DATE 02-20-95

CHK'D KLN

ECN - R CUST SUP

DESCRIPTION

REMOVED BOLD FONTS FROM DIM TABLE

DESCRIPTION

REV DATE BY CHK

DESCRIPTION

00B 10/01/08 ARHA

00B

7 8-16-02 LGG

7

6 07-31-00 GDH

6

5 7-19-99 CGSM

5

00B

A

DWG

GB0239CM

SIZE

A