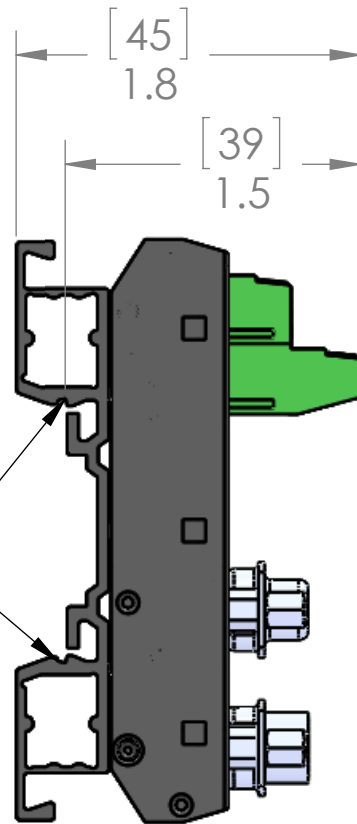
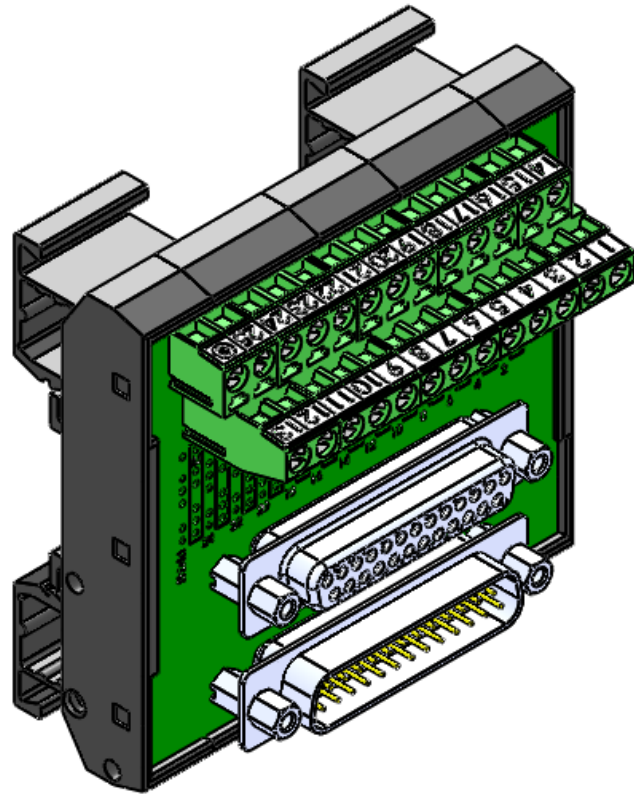


WIRING		
DB9M	DB9F	TERMINAL BLOCK
1	1	1
2	2	2
3	3	3
4	4	4
etc.	etc.	etc.
22	22	22
23	23	23
24	24	24
25	25	25
SHIELD	SHIELD	SHIELD

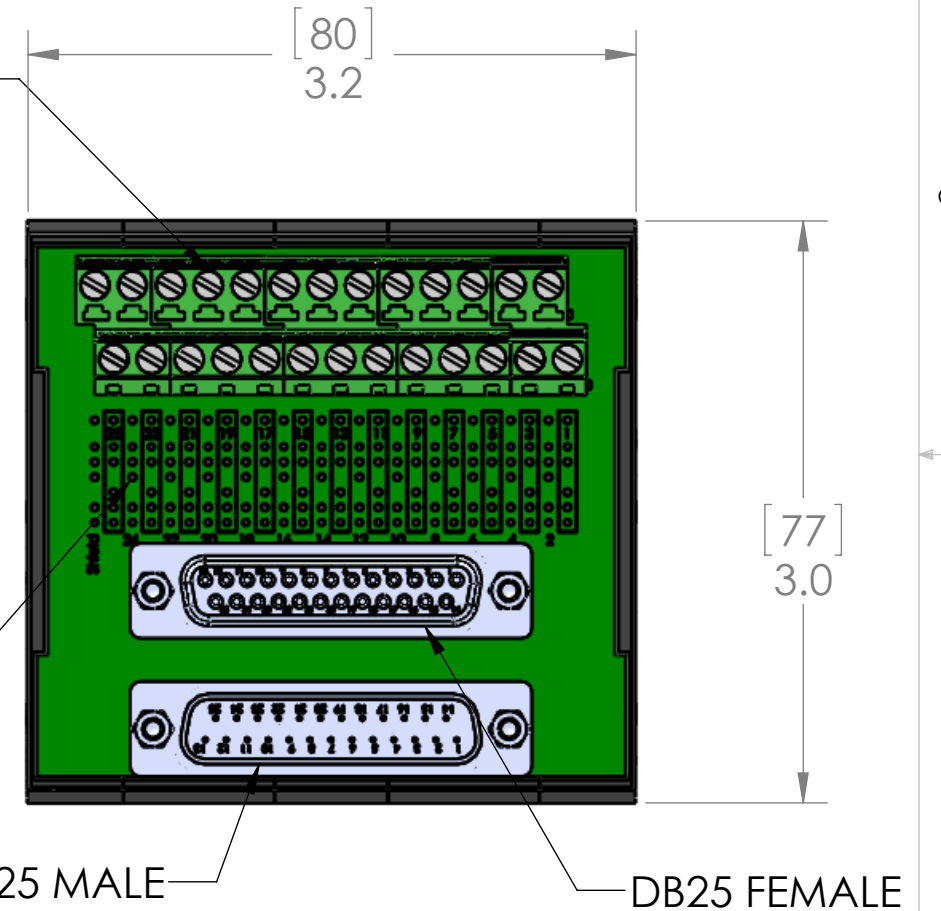


T35 DIN Rail snaps in here

TERMINAL BLOCK (Screw terminals)

Series of 1mm holes in parallel with corresponding pins and shield.

REVISIONS			
REV.	DESCRIPTION	DATE	APPROVED
A	DRAWN IN SW	7/16/2014	JJH



MATERIALS:	
BODY:	BLACK NYLON

PROPRIETARY AND CONFIDENTIAL
 THE INFORMATION CONTAINED IN THIS DRAWING IS THE SOLE PROPERTY OF MENCOM CORPORATION. ANY REPRODUCTION IN PART OR AS A WHOLE WITHOUT THE WRITTEN PERMISSION OF MENCOM CORPORATION IS PROHIBITED.

VOLTS	250V
AMPS	1.5A
APPLICATION	DO NOT SCALE DRAWING

UNLESS OTHERWISE SPECIFIED: DIMENSIONS ARE IN INCHES AND [MM]	NAME BEM
INTERPRET GEOMETRIC TOLERANCING PER: MATERIAL	DRAWN
FINISH	CHECKED
	ENG APPR.
	MFG APPR.
	Q.A.
	COMMENTS:

MENCOM CORPORATION		
TITLE:		
SIZE B	DWG. NO. T35-DB25MF-TB	REV A
SCALE: 1:1	WEIGHT:	SHEET 1 OF 1