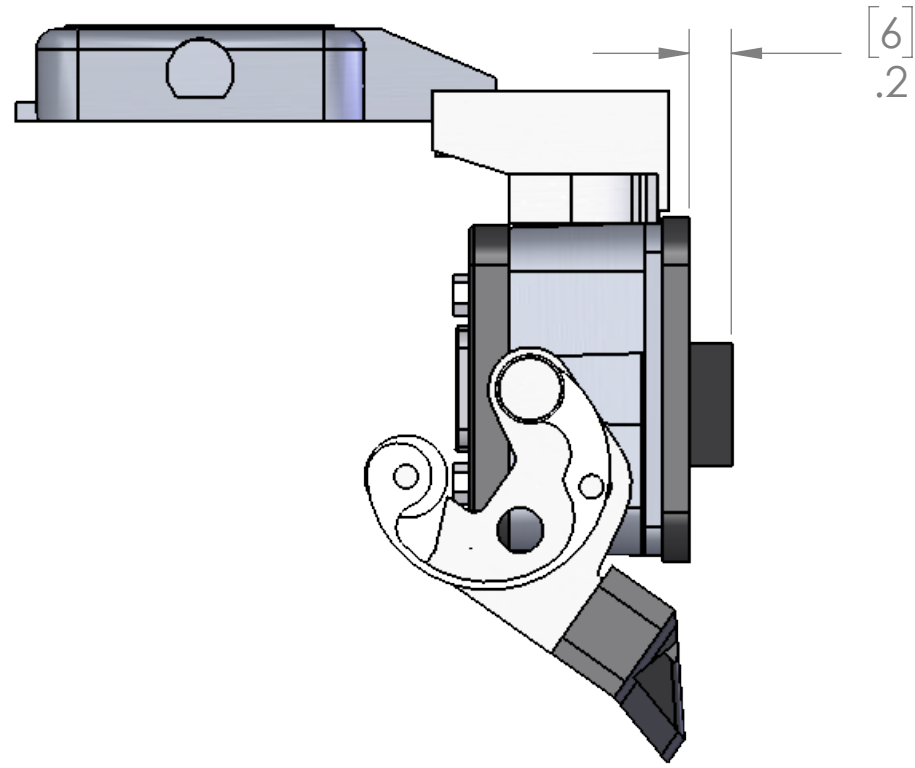
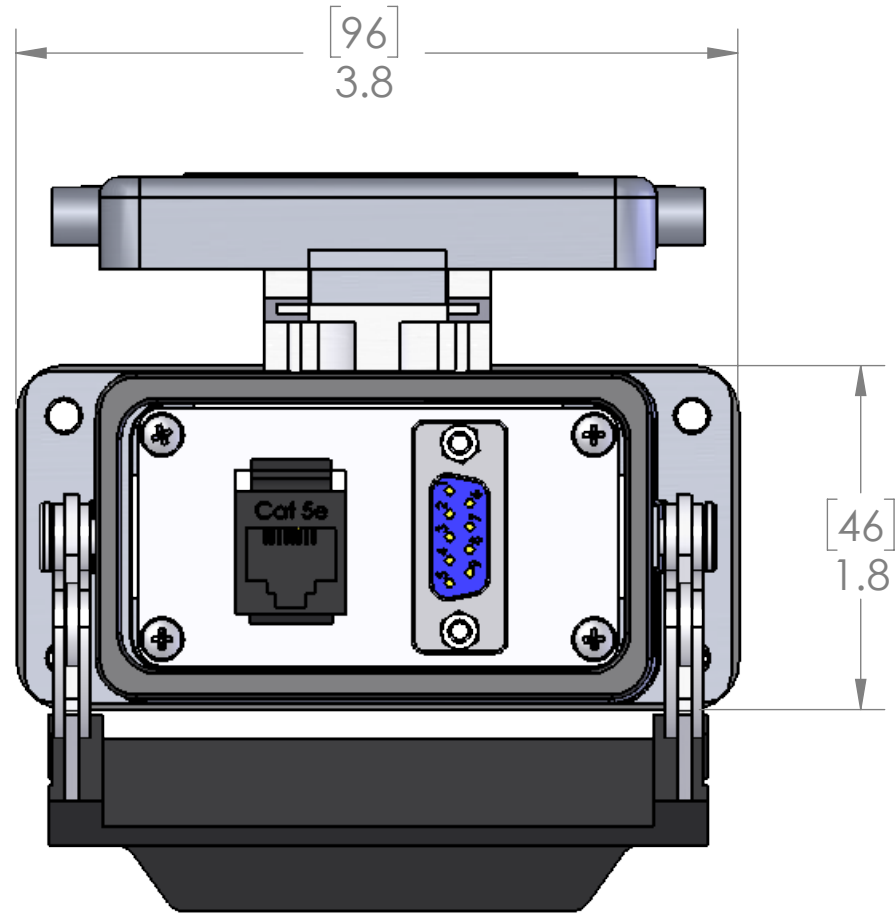
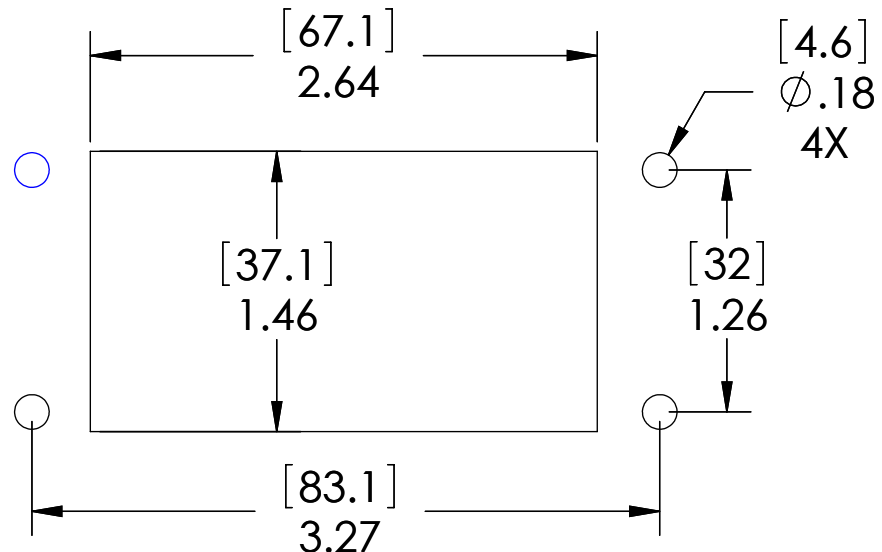


REVISIONS			
REV.	DESCRIPTION	DATE	APPROVED
A	REDRAWN IN SW	5/18/2005	BEM



PANEL CUTOUT



HOUSING MATERIALS	
BODY:	EPOXY COATED DIE CAST ALUMINUM
GASKET:	THERMOPLASTIC ELASTOMER
HANDLE:	POLYAMIDE
LEVERS:	STAINLESS STEEL

STANDARD CONFIGURATIONS UNLESS OTHERWISE NOTED		
CONN. TYPE	EXTERIOR	INTERIOR
ALL D-SUBS	FEMALE	MALE
RJ45	CAT 5 JACK	CAT 5 JACK

**PROPRIETARY AND CONFIDENTIAL**  
 THE INFORMATION CONTAINED IN THIS DRAWING IS THE SOLE PROPERTY OF MENCOM CORPORATION. ANY REPRODUCTION IN PART OR AS A WHOLE WITHOUT THE WRITTEN PERMISSION OF MENCOM CORPORATION IS PROHIBITED.

UNLESS OTHERWISE SPECIFIED:	NAME	MENCOM CORPORATION			
DIMENSIONS ARE IN INCHES & [MM]	DRAWN		CAM		
MATERIAL	CHECKED		TITLE:		
FINISH	ENG APPR.		SIZE	DWG. NO.	REV
DO NOT SCALE DRAWING	MFG APPR.		<b>B</b>	DB09-RJ45-10LS	<b>A</b>
	Q.A.	SCALE: 1:1	WEIGHT:	SHEET 1 OF 1	
	COMMENTS:				