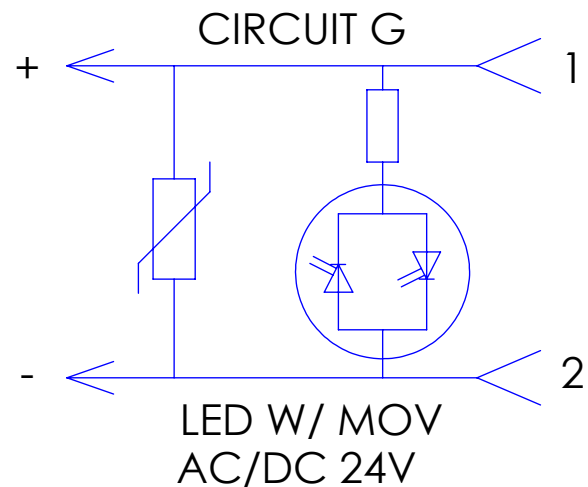


VALVE PIN #	COLOR
1	BRN
2	BLU
GND	GRN/YEL



REVISIONS			
REV.	DESCRIPTION	DATE	APPROVED
A	DRAWN IN SW	11/12/2013	BEM
B	UPDATED OVERMOLD	3/6/2014	

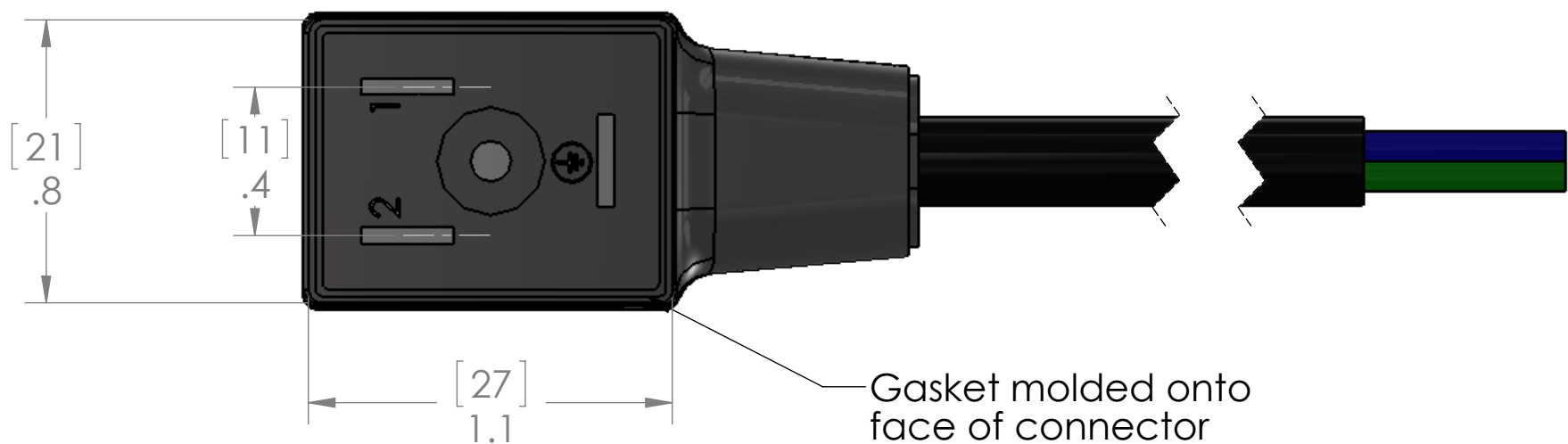
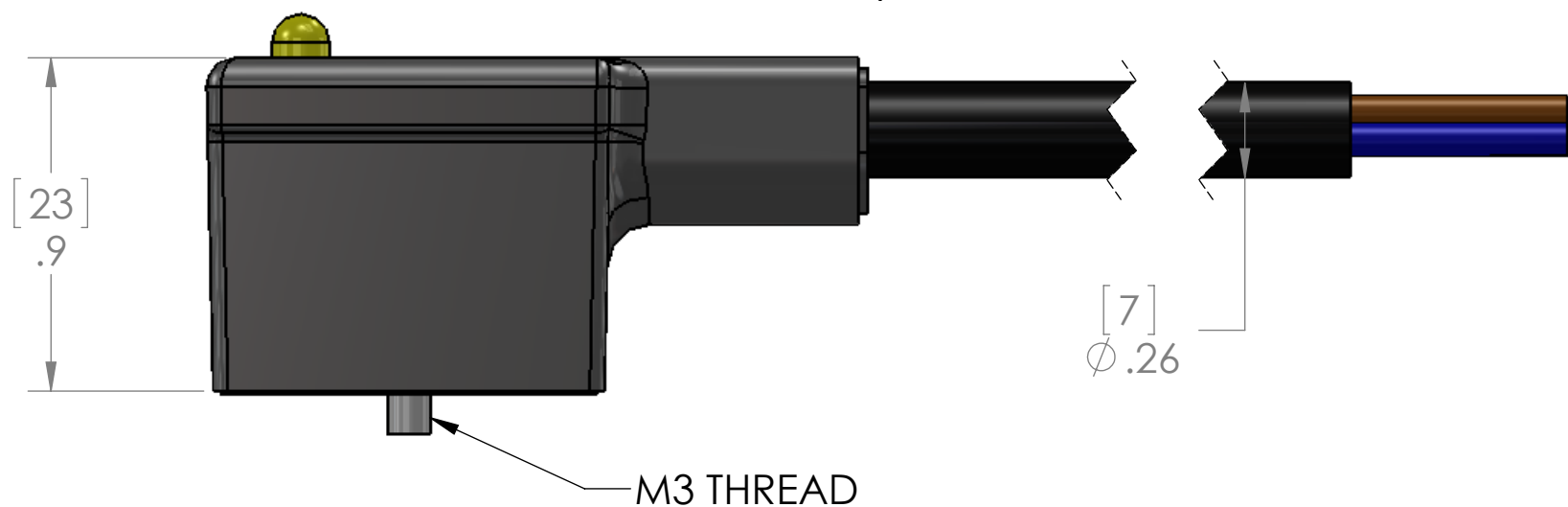


TABLE A		
P/N	L	STD?
VDG-120-00	39" [1M]	NO
VDG-220-00	79" [2M]	YES
VDG-320-00	118" [3M]	NO
VDG-420-00	157" [4M]	NO
VDG-520-00	197" [5M]	YES
VDG-620-00	236" [6M]	NO
VDG-A20-00	393" [10M]	YES

PARTS LISTED AS NOT BEING STANDARD
MAY REQUIRE MINIMUM ORDERS

MATERIALS:	
CABLE:	18/3 BLACK PVC JACKET
BODY:	TPE
CONTACTS:	SILVER PLATED COPPER ALLOY
SCREW:	ZINC PLATED STEEL
TEMP:	-25°C TO 90°C
SEAL:	IP65

PROPRIETARY AND CONFIDENTIAL
THE INFORMATION CONTAINED IN THIS
DRAWING IS THE SOLE PROPERTY OF
MENCOM CORPORATION. ANY
REPRODUCTION IN PART OR AS A WHOLE
WITHOUT THE WRITTEN PERMISSION OF
MENCOM CORPORATION IS
PROHIBITED.

UNLESS OTHERWISE SPECIFIED:	
DIMENSIONS ARE IN INCHES AND [MM]	
MATERIAL	
FINISH	
DO NOT SCALE DRAWING	

NAME		MENCOM CORPORATION	
DRAWN	JJH	TITLE:	
CHECKED		I/S B 24V MOV LED 2+E	
ENG APPR.		SIZE	DWG. NO.
MFG APPR.		B	VDG-ZZ20-00
Q.A.		REV	B
COMMENTS:		SCALE: 2:1	WEIGHT:
		SHEET 1 OF 1	