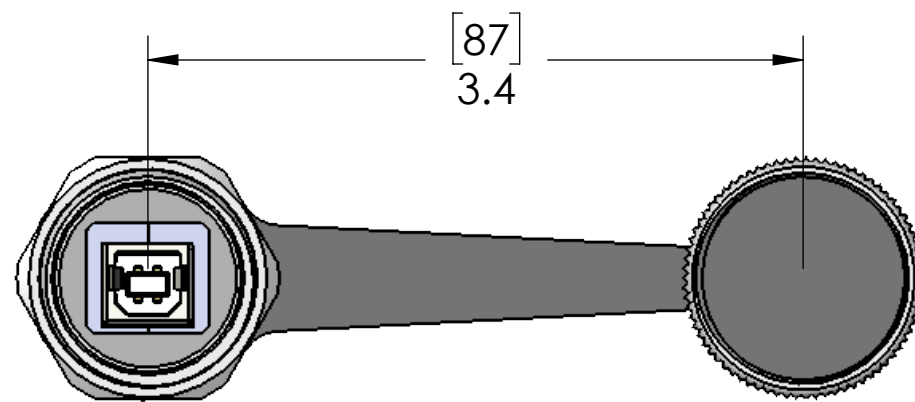
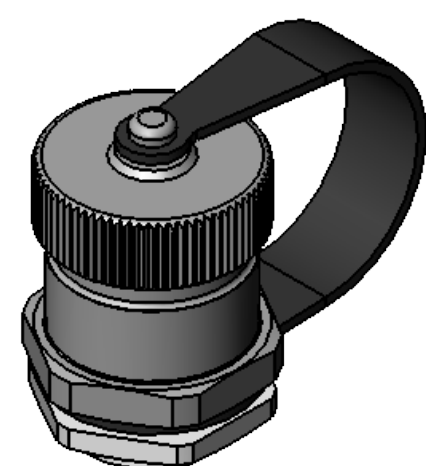


D

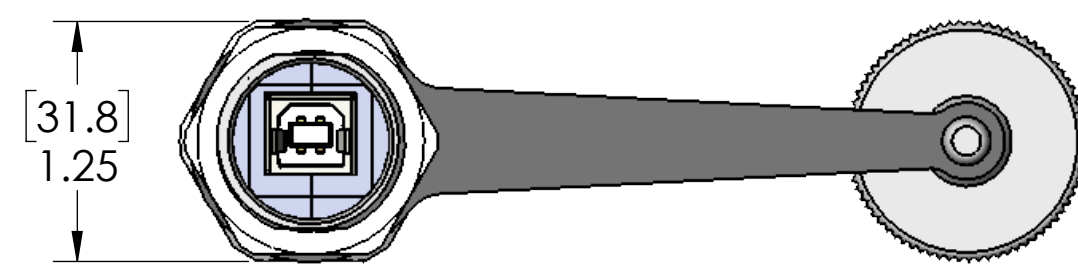
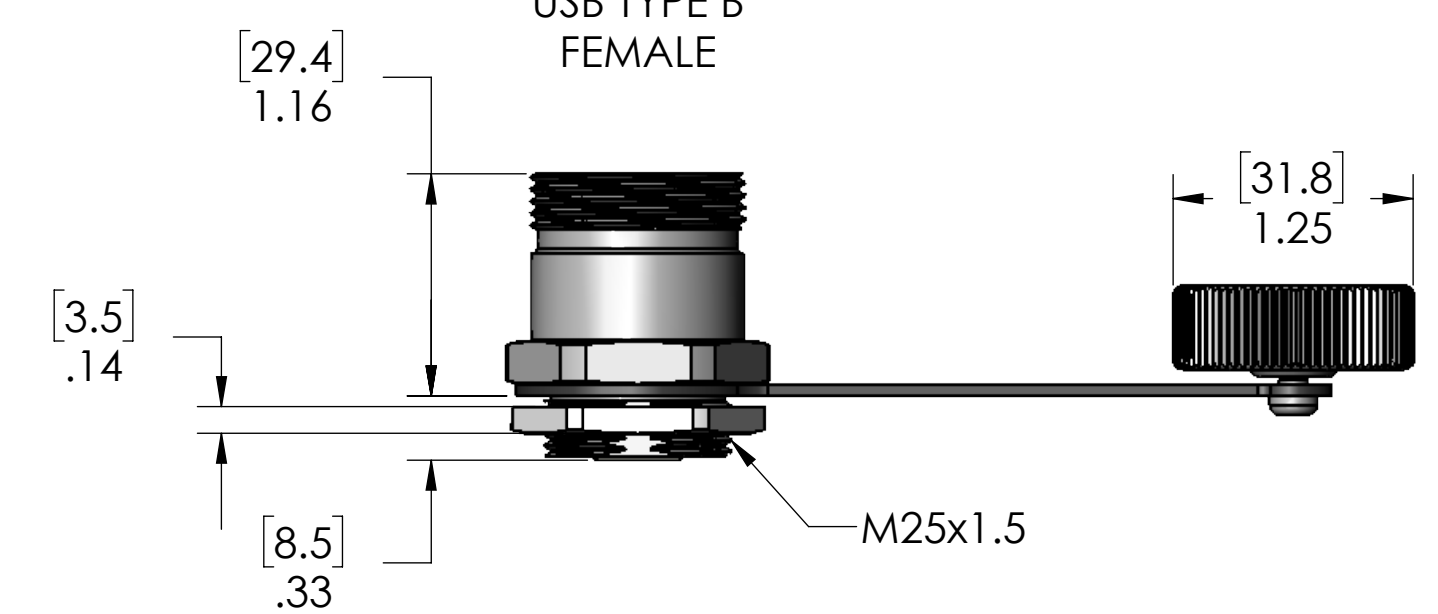
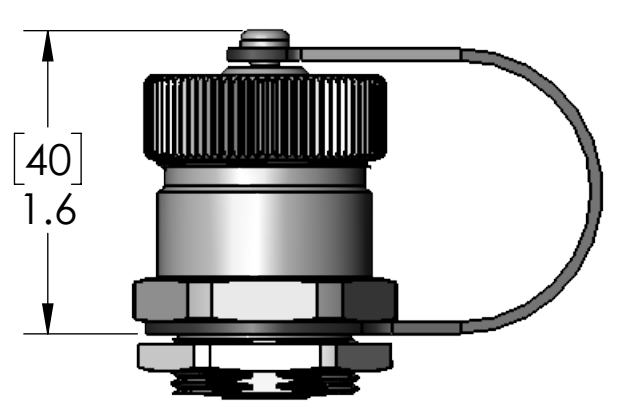
C

B

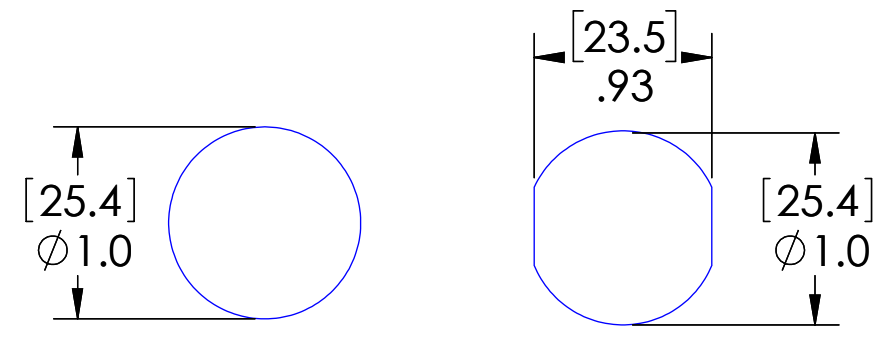
A



USB TYPE B
FEMALE



USB TYPE B
FEMALE



SUGGESTED CUT-OUTS

MATERIALS:	
BODY & CAP:	CLEAR ANODIZED ALUMINUM
TETHER/GASKET:	TPE
CONNECTOR:	USB-B 2.0 FEM - USB-B 2.0 FEM
LOCKNUT:	NICKEL PLATED BRASS
CERTIFICATIONS:	
SEAL:	UL TYPE 4, 6P, 12 IP67 & 69
US:	UL LISTED
CANADA:	c-UL LISTED

PROPRIETARY AND CONFIDENTIAL
THE INFORMATION CONTAINED IN THIS DRAWING IS THE SOLE PROPERTY OF MENCOM CORPORATION. ANY REPRODUCTION IN PART OR AS A WHOLE WITHOUT THE WRITTEN PERMISSION OF MENCOM CORPORATION IS PROHIBITED.

UNLESS OTHERWISE SPECIFIED: DIMENSIONS ARE IN INCHES AND [MM]	DRAWN BY	ADM
	DRAWN DATE	09/22/2016
	CHECKED BY	
	CHECK DATE	
MATERIAL	COMMENTS:	
FINISH		
DO NOT SCALE DRAWING		

MENCOM CORPORATION		
TITLE:		
SIZE	DWG. NO.	REV
B	D-USB-BFBF-M25	C
SCALE: 1:1	WEIGHT:	SHEET 1 OF 1