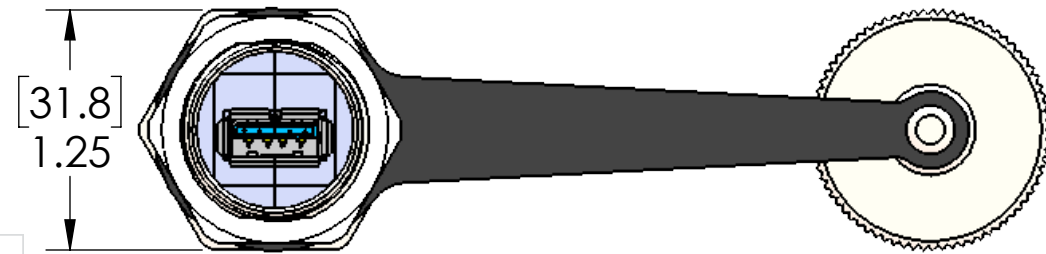
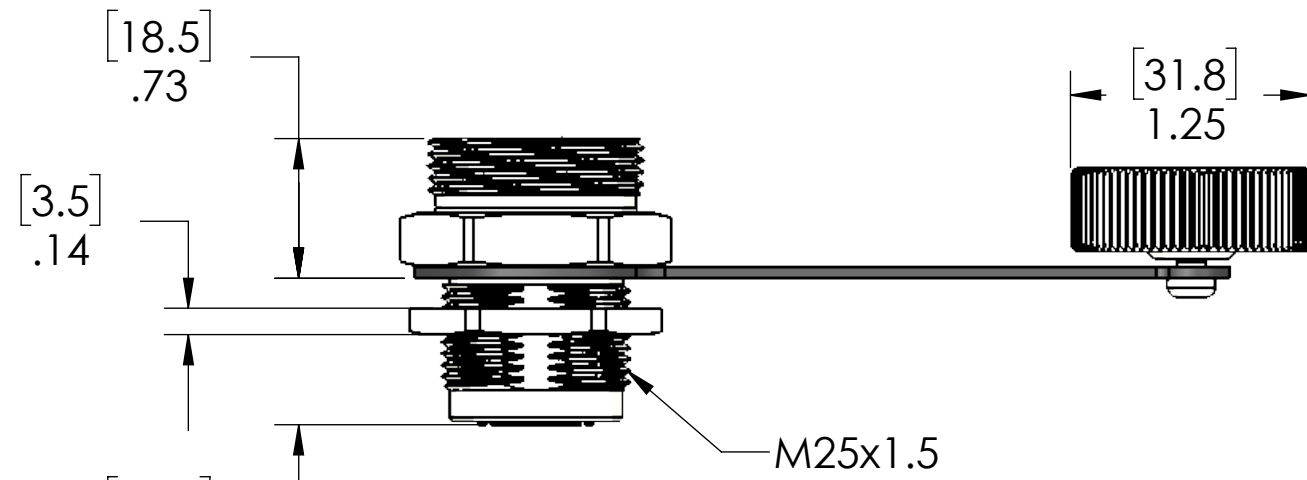
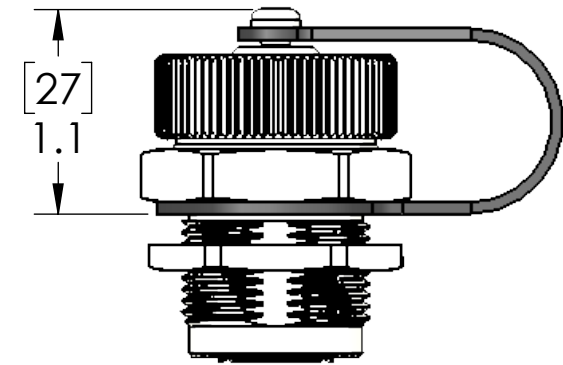
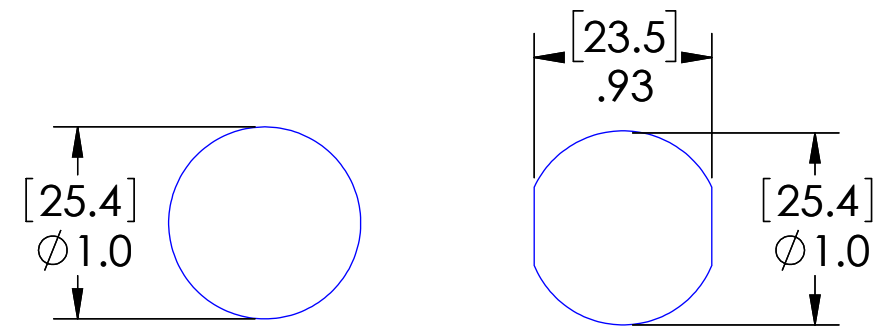


USB TYPE A FEMALE



USB TYPE A FEMALE



SUGGESTED CUT-OUTS

<b>MATERIALS:</b>	
BODY & CAP:	316 STAINLESS STEEL
TETHER/GASKET:	TPE
CONNECTOR:	USB-A 3.0 FEM - USB-A 3.0 FEM
LOCKNUT:	NICKEL PLATED BRASS
<b>CERTIFICATIONS:</b>	
SEAL:	UL TYPE 4, 4X, 6P, 12 IP67 & 69
US:	UL LISTED
CANADA:	c-UL LISTED

**PROPRIETARY AND CONFIDENTIAL**  
 THE INFORMATION CONTAINED IN THIS DRAWING IS THE SOLE PROPERTY OF MENCOM CORPORATION. ANY REPRODUCTION IN PART OR AS A WHOLE WITHOUT THE WRITTEN PERMISSION OF MENCOM CORPORATION IS PROHIBITED.

UNLESS OTHERWISE SPECIFIED:	DRAWN BY	ADM
DIMENSIONS ARE IN INCHES AND [MM]	DRAWN DATE	02/06/2018
	CHECKED BY	
	CHECK DATE	
MATERIAL	COMMENTS:	
FINISH		
DO NOT SCALE DRAWING		

MENCOM CORPORATION		
TITLE:		
SS USB A FEM - A FEM LO-PROFILE		
SIZE	DWG. NO.	REV
<b>B</b>	D-USB-AFAF-M25-SS-LP	<b>A</b>
SCALE: 1:1	WEIGHT:	SHEET 1 OF 1