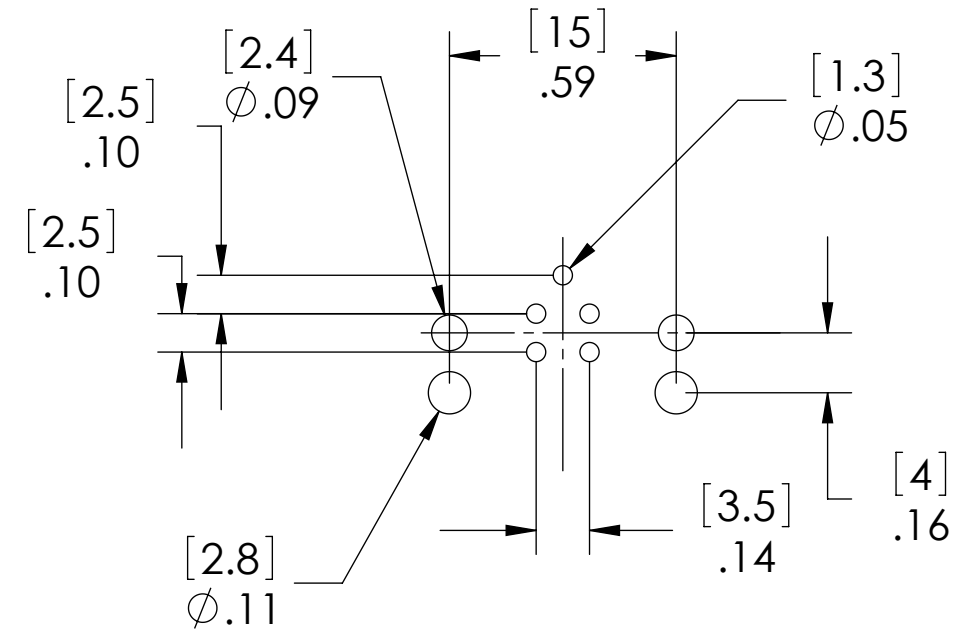
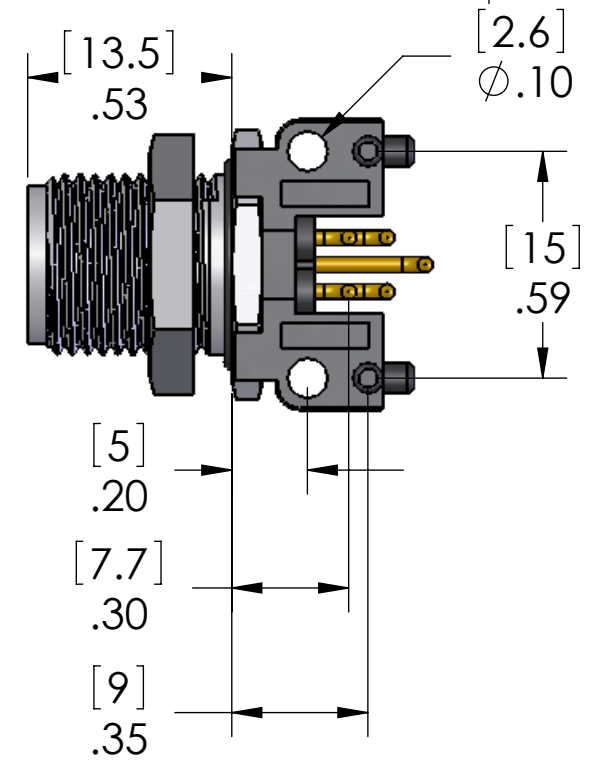
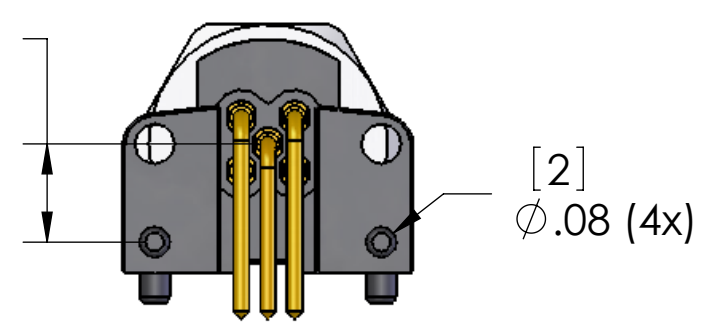
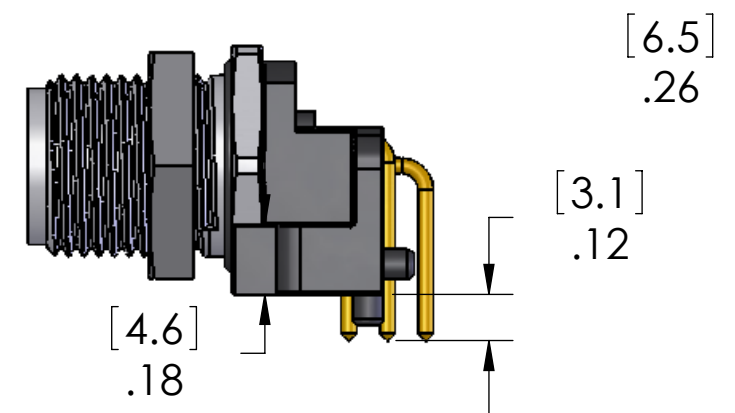
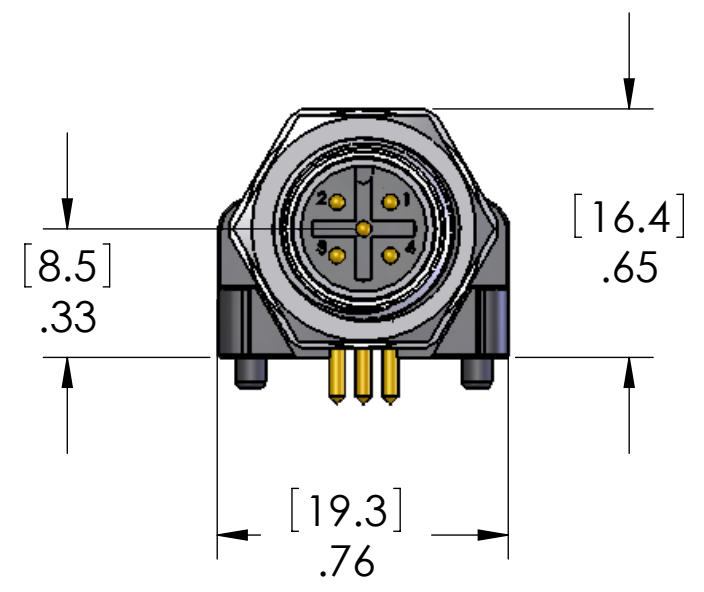
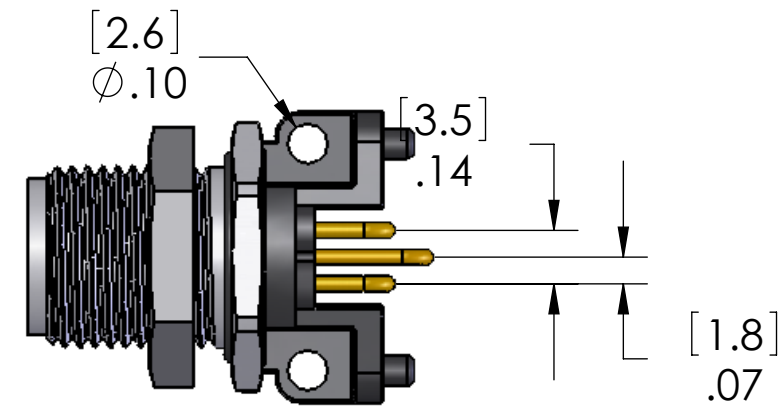


REVISIONS			
REV.	DESCRIPTION	DATE	APPROVED
A	REDRAWN IN SW	8/27/2007	



MATERIALS:	
BODY:	POLYAMIDE
METAL HDWR:	NICKEL PLATED BRASS
CONTACTS:	GOLD PLATED COPPER ALLOY
O-RING:	BUNA-N
RATINGS:	
VOLTAGE:	60V
AMPERAGE:	4A

**PROPRIETARY AND CONFIDENTIAL**  
 THE INFORMATION CONTAINED IN THIS DRAWING IS THE SOLE PROPERTY OF MENCOM CORPORATION. ANY REPRODUCTION IN PART OR AS A WHOLE WITHOUT THE WRITTEN PERMISSION OF MENCOM CORPORATION IS PROHIBITED.

UNLESS OTHERWISE SPECIFIED:	
DIMENSIONS ARE IN INCHES AND [MM]	
MATERIAL	
FINISH	
DO NOT SCALE DRAWING	

NAME		MENCOM CORPORATION	
DRAWN		BEM	
CHECKED			
ENG APPR.			
MFG APPR.			
Q.A.			
COMMENTS:			
SIZE	DWG. NO.	REV	
<b>B</b>	MDC-5MR-PCB-R	<b>A</b>	
SCALE: 2:1	WEIGHT:	SHEET 1 OF 1	