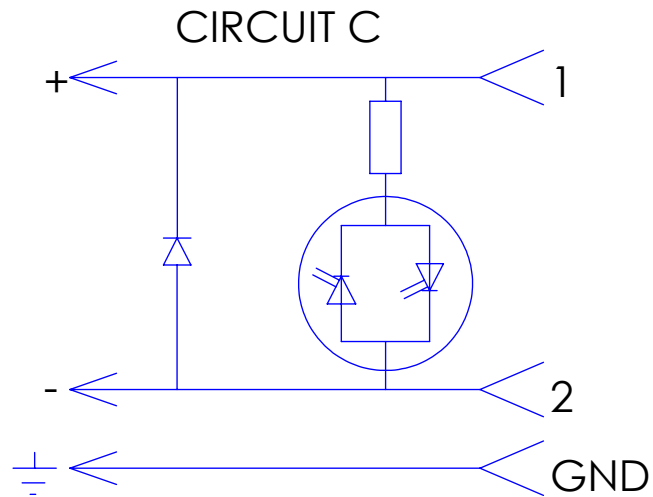


VALVE PIN #	COLOR
1	BRN
2	BLU
GND	GRN/YEL



REVISIONS			
REV.	DESCRIPTION	DATE	APPROVED
A	REDRAWN IN SW	3/18/2014	JJH

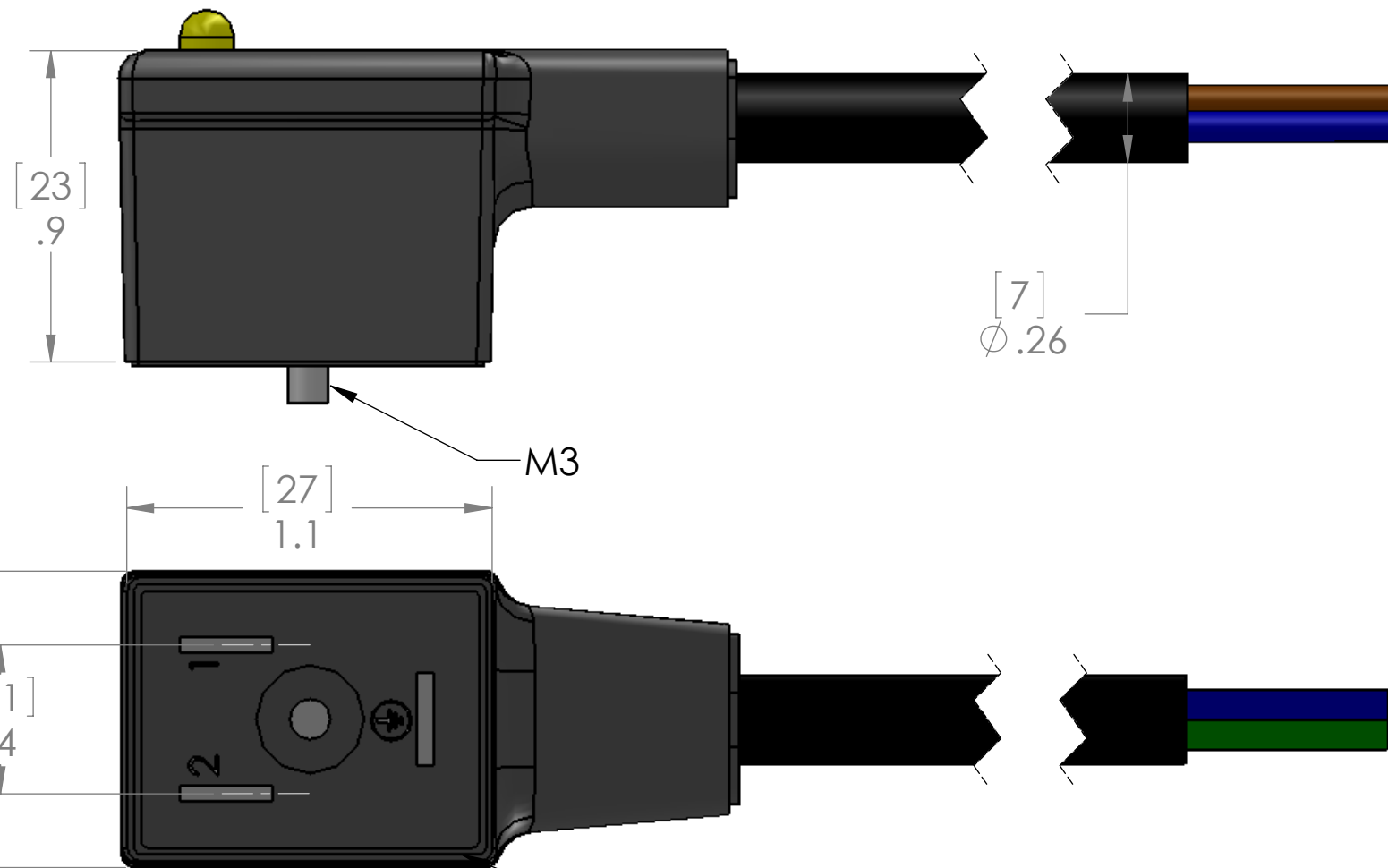


TABLE A		
P/N	L	STD?
VDC-120-00	39" [1M]	NO
VDC-220-00	79" [2M]	YES
VDC-320-00	118" [3M]	NO
VDC-420-00	157" [4M]	NO
VDC-520-00	197" [5M]	YES
VDC-620-00	236" [6M]	NO
VDC-A20-00	393" [10M]	YES

PARTS LISTED AS NOT BEING STANDARD
MAY REQUIRE MINIMUM ORDERS

MATERIALS:	
CABLE:	18/3 BLACK PVC JACKET
BODY:	TPE
CONTACTS:	SILVER PLATED COPPER ALLOY
SCREW:	ZINC PLATED STEEL
TEMP:	-25°C TO 90°C
SEAL:	IP65

Gasket molded onto
face of connector

PROPRIETARY AND CONFIDENTIAL
THE INFORMATION CONTAINED IN THIS
DRAWING IS THE SOLE PROPERTY OF
MENCOM CORPORATION. ANY
REPRODUCTION IN PART OR AS A WHOLE
WITHOUT THE WRITTEN PERMISSION OF
MENCOM CORPORATION IS
PROHIBITED.

UNLESS OTHERWISE SPECIFIED:	
DIMENSIONS ARE IN INCHES AND [MM]	
MATERIAL	
FINISH	
DO NOT SCALE DRAWING	

NAME	
DRAWN	RSC
CHECKED	
ENG APPR.	
MFG APPR.	
Q.A.	
COMMENTS:	

MENCOM CORPORATION		
TITLE:		
I/S B 10/50V LED FBD 2+E		
SIZE	DWG. NO.	REV
B	VDC-ZZ20-00	A
SCALE: 2:1	WEIGHT:	SHEET 1 OF 1