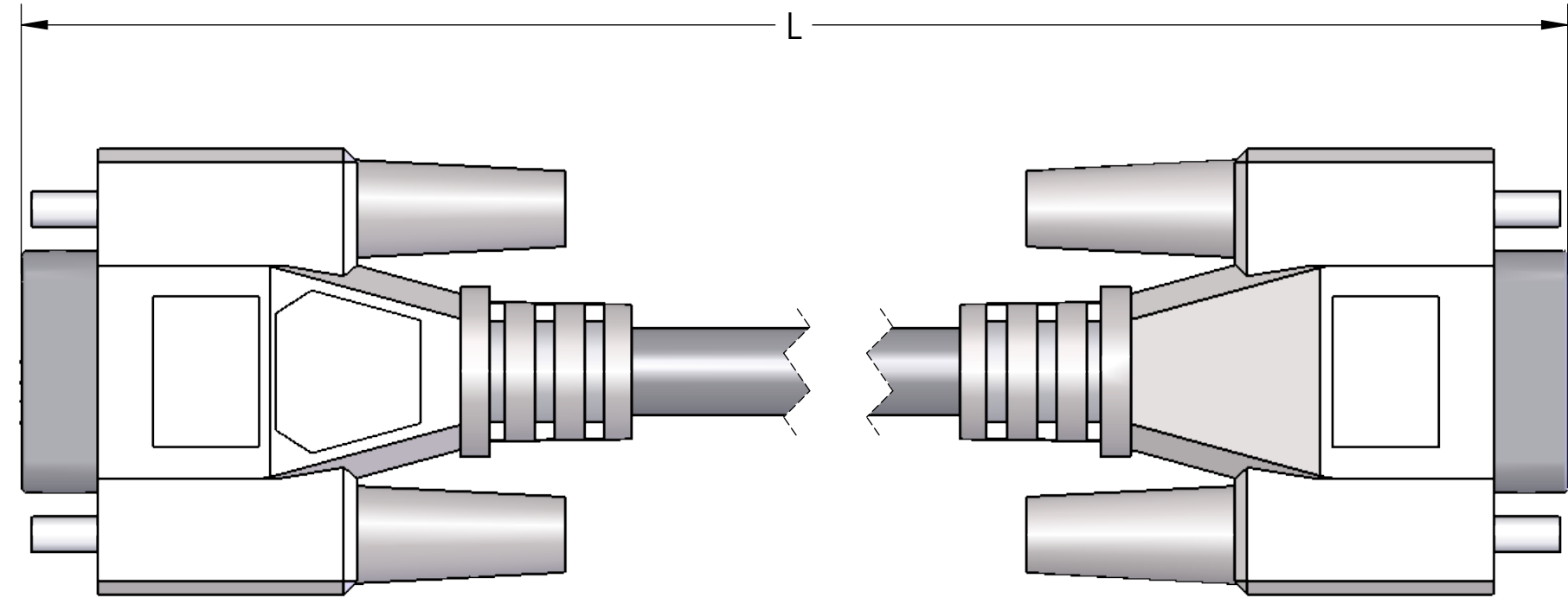
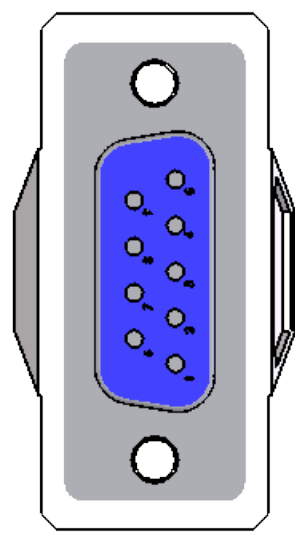


8 7 6 5 4 3 2 1

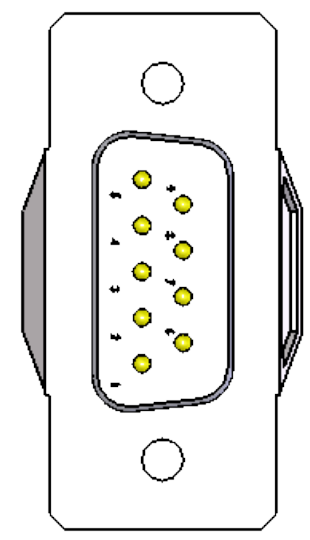
D  
C  
B  
A

D  
C  
B  
A

FEMALE



MALE



**TABLE A**

| P/N               | L                  |
|-------------------|--------------------|
| <b>DB09-MF-03</b> | <b>36" [1M]</b>    |
| <b>DB09-MF-06</b> | <b>72" [2M]</b>    |
| <b>DB09-MF-10</b> | <b>120" [3M]</b>   |
| <b>DB09-MF-15</b> | <b>180" [4.6M]</b> |
| <b>DB09-MF-25</b> | <b>300" [7.6M]</b> |

| MATERIALS        |  |
|------------------|--|
| <b>BODY:</b>     | <b>GRAY PVC</b>                              |
| <b>CONTACTS:</b> | <b>GOLD PLATED COPPER ALLOY</b>              |
| <b>CABLE:</b>    | <b>PVC JACKET 26 AWG STRANDED CONDUCTORS</b> |

**PROPRIETARY AND CONFIDENTIAL**  
 THE INFORMATION CONTAINED IN THIS DRAWING IS THE SOLE PROPERTY OF MENCOM CORPORATION. ANY REPRODUCTION IN PART OR AS A WHOLE WITHOUT THE WRITTEN PERMISSION OF MENCOM CORPORATION IS PROHIBITED.

|  |            |            |
|--|------------|------------|
| UNLESS OTHERWISE SPECIFIED:<br>DIMENSIONS ARE IN INCHES AND [MM] | DRAWN BY   | DG         |
|  | DRAWN DATE | 02/03/2017 |
|  | CHECKED BY | ADM        |
|  | CHECK DATE | 02/03/2017 |
| COMMENTS:  |            |            |
| MATERIAL   |            |            |
| FINISH   |            |            |
| DO NOT SCALE DRAWING   |            |            |

|                                 |                        |                 |
|---------------------------------|------------------------|-----------------|
| MENCOM CORPORATION              |                        |                 |
| TITLE:<br>DB9 MALE/FEMALE CABLE |                        |                 |
| SIZE<br><b>B</b>                | DWG. NO.<br>DB09-MF-ZZ | REV<br><b>A</b> |
| SCALE: 2:1                      | WEIGHT:                | SHEET 1 OF 1    |

8 7 6 5 4 3 2 1