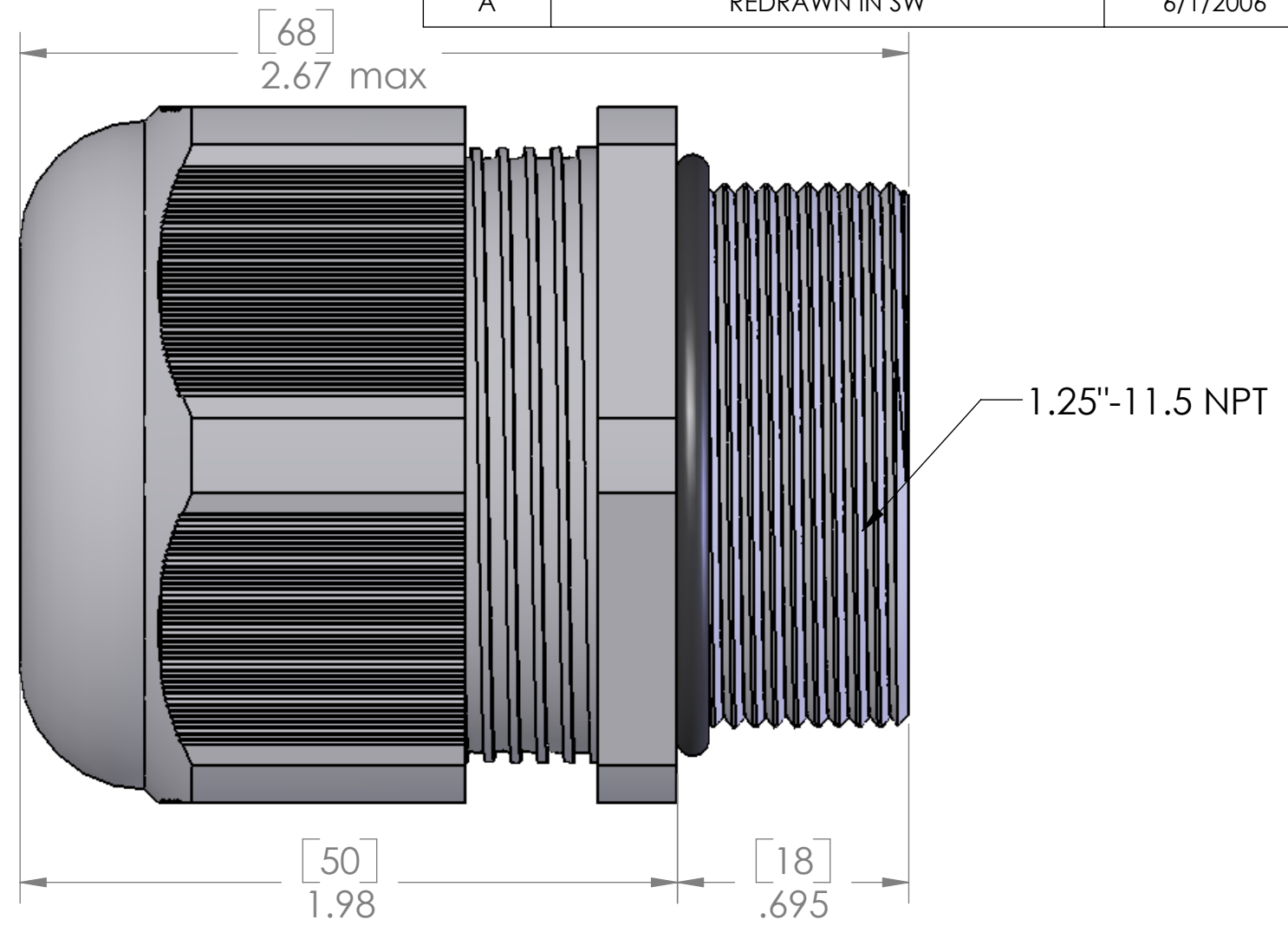
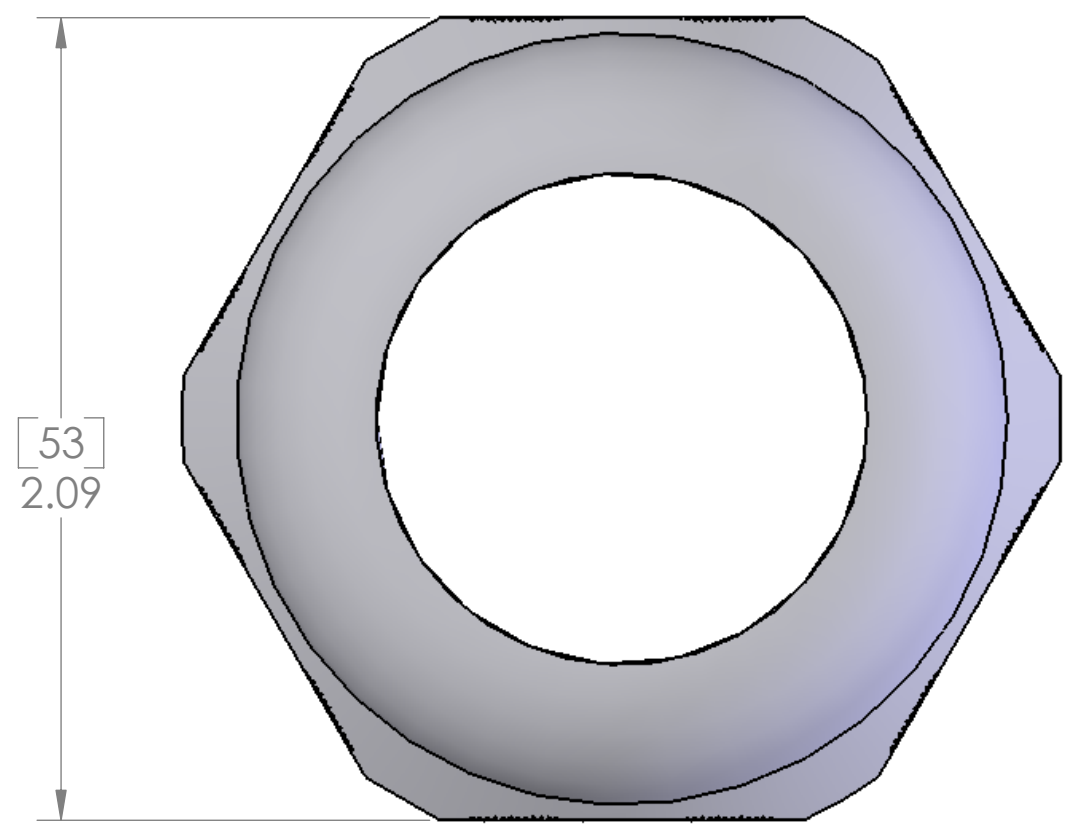


REVISIONS		
REV.	DESCRIPTION	DATE
A	REDRAWN IN SW	6/1/2006



MATERIALS	
BODY:	GRAY OR BLACK POLYAMIDE
GROMMET:	NEOPRENE

SPECIFICATIONS:	
TIGHTENING TORQUE:	7.5 Nm
TEMPERATURE:	-20°C - +100°C

APPROVALS:	
US	UL RECOGNIZED
CANADA	C-UL RECOGNIZED

PART NUMBER	COLOR	SEALING RANGE
PCG-1.25	GRAY	.866 - 1.26 [22 - 32 MM]
PCG-1.25R	GRAY	.787 - 1.02 [20 - 26 MM]
PCG-1.25-B	BLACK	.866 - 1.26 [22 - 32 MM]
PCG-1.25R-B	BLACK	.787 - 1.02 [20 - 26 MM]

SEAL RATED TO: IP68

PROPRIETARY AND CONFIDENTIAL
 THE INFORMATION CONTAINED IN THIS DRAWING IS THE SOLE PROPERTY OF MENCOM CORPORATION. ANY REPRODUCTION IN PART OR AS A WHOLE WITHOUT THE WRITTEN PERMISSION OF MENCOM CORPORATION IS PROHIBITED.

UNLESS OTHERWISE SPECIFIED:
 DIMENSIONS ARE IN INCHES

DRAWN	NAME
CHECKED	DWM
ENG APPR.	
MFG APPR.	
Q.A.	
COMMENTS:	
MATERIAL	
FINISH	
SPECIFICATIONS	DO NOT SCALE DRAWING

MENCOM CORPORATION		
TITLE:		
SIZE	DWG. NO.	REV
B	PCG-1.25	A
SCALE: 2:1	WEIGHT:	SHEET 1 OF 1