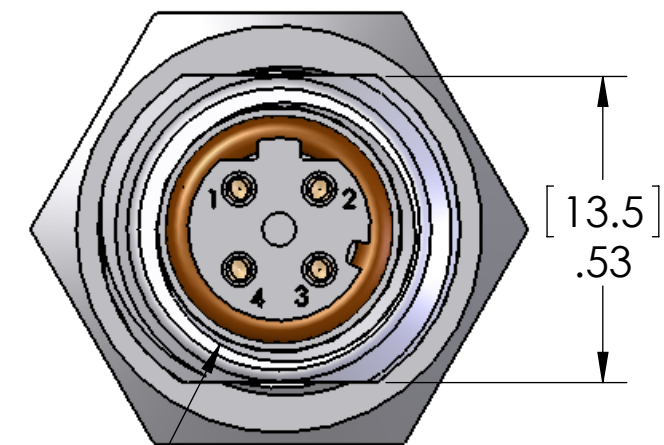
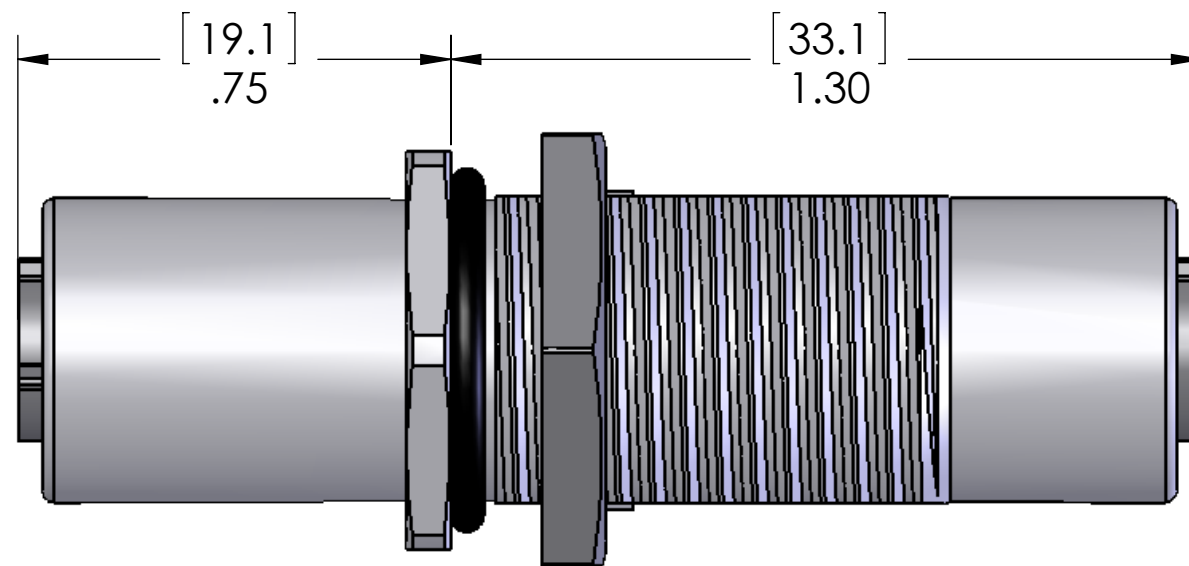
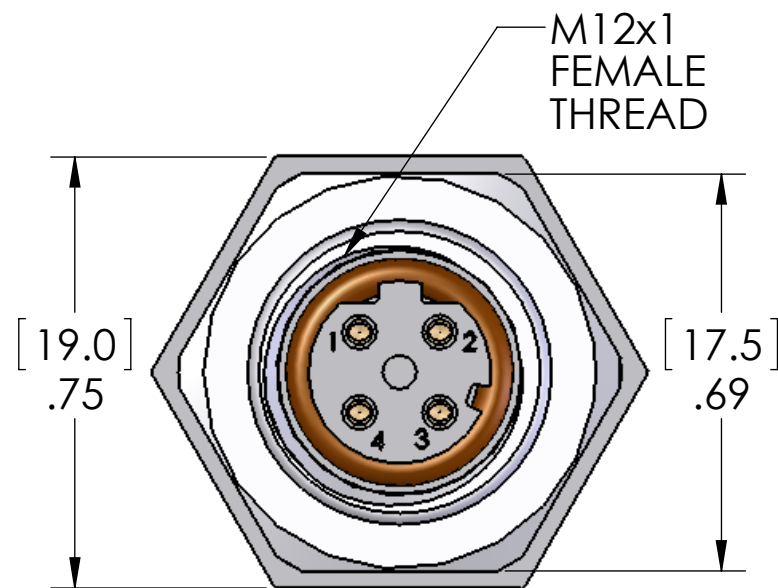
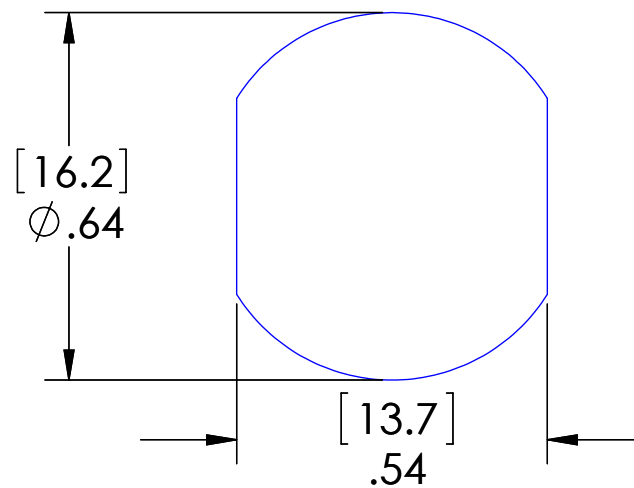


WRING		
PIN#		PIN#
1	_____	1
2	_____	2
3	_____	3
4	_____	4

REVISIONS			
REV.	DESCRIPTION	DATE	APPROVED
A	DRAWN IN SW	10/6/2014	



RECOMMENDED CUT-OUT



MATERIALS	
BODY:	NICKEL PLATED BRASS
CONTACTS:	GOLD PLATED COPPER ALLOY
INSERT:	POLYAMIDE
O-RING:	FPM
NUT:	NICKEL PLATED BRASS

**PROPRIETARY AND CONFIDENTIAL**  
 THE INFORMATION CONTAINED IN THIS DRAWING IS THE SOLE PROPERTY OF MENCOM CORPORATION. ANY REPRODUCTION IN PART OR AS A WHOLE WITHOUT THE WRITTEN PERMISSION OF MENCOM CORPORATION IS PROHIBITED.

VOLTS	300V
AMPS	4A
TEMP	105°C

UNLESS OTHERWISE SPECIFIED:		NAME
DIMENSIONS ARE IN INCHES AND [MM]	DRAWN	BEM
	CHECKED	
	ENG APPR.	
	MFG APPR.	
	Q.A.	
MATERIAL		COMMENTS:
FINISH		
DO NOT SCALE DRAWING		

MENCOM CORPORATION		
TITLE:		
D-CODED F-F PASS-THRU		
SIZE	DWG. NO.	REV
<b>B</b>	MDE45-4FFR-TM	<b>A</b>
SCALE: 3:1	WEIGHT:	SHEET 1 OF 1