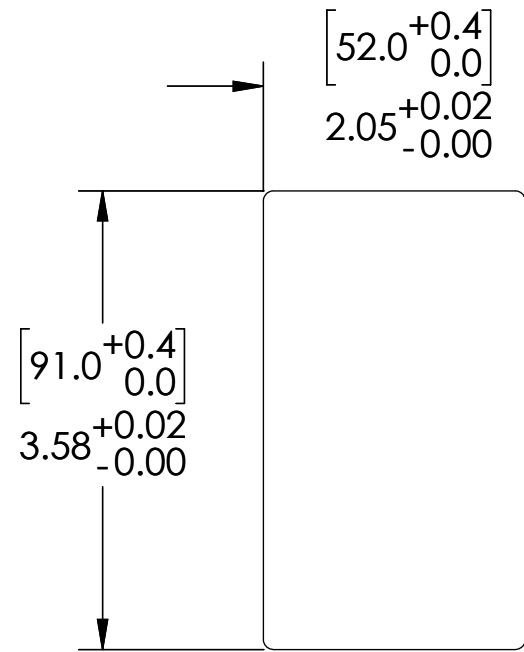
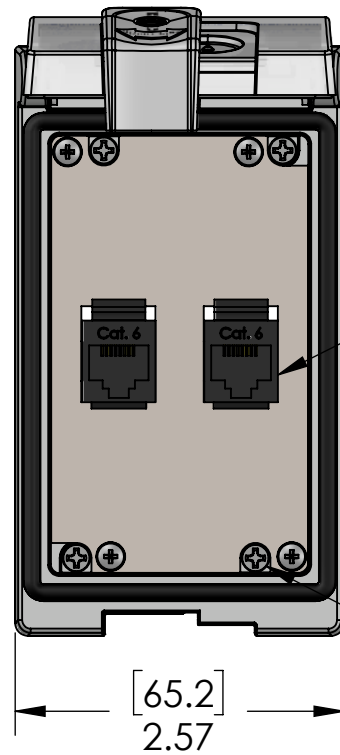
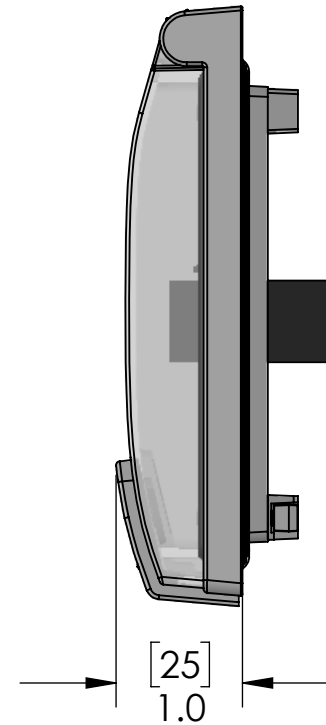
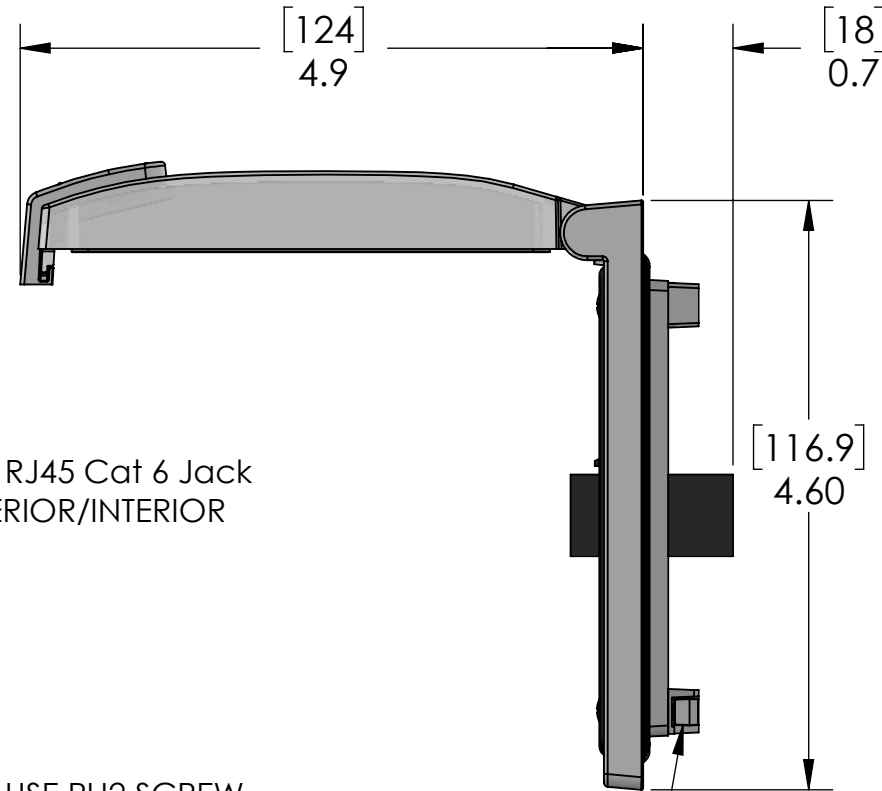


PANEL CUTOUT



[2.0 MAX]
R0.08 MAX



(X2) RJ45 Cat 6 Jack
EXTERIOR/INTERIOR

(X4) USE PH2 SCREW
DRIVER ON MOUNTING
SCREWS. (REF. MOUNTING
SCREW TORQUE)

[65.2]
2.57

ROTATE TWO TURNS COUNTER
CLOCKWISE TO RELEASE THE
TURN BUCKLE PRIOR TO TIGHTENING

TURN BUCKLES ROTATE 90 DEG. INTO
THEIR CLAMPING POSITION AS
MOUNTING SCREWS TIGHTEN.
DO NOT OVER-TORQUE!

These devices shall be mounted on enclosures having adequate strength and thickness and with adequate spacing provided. Seal rating is based on mounting to a surface that is clean, flat and smooth.



PIC RATINGS/SPECIFICATIONS

NEMA/UL EN 60529:	4, 12 IP65
PANEL THICKNESS:	5.0mm max
MOUNTING SCREW TORQUE:	0.8N-m

UNLESS OTHERWISE SPECIFIED:	DRAWN BY	DG
	DRAWN DATE	02/18/2019
	CHECKED BY	DCG
	CHECK DATE	02/22/2019

MENCOM CORPORATION

TITLE:
RJ45X2; LP1

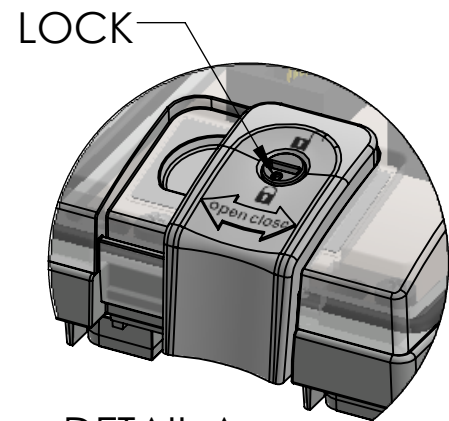
HOUSING MATERIALS	
BODY:	NICKEL PLATED ZINC
GASKETS:	PUR FIPG
FRONT COVER:	POLYCARBONATE
LATCH & LOCK:	PBT

DIMENSIONS ARE IN INCHES AND [MM]
MATERIAL
FINISH
DO NOT SCALE DRAWING

COMMENTS:

SIZE	DWG. NO.	REV
B	LP1-2RJ45	C
SCALE: 2:3	WEIGHT:	SHEET 1 OF 1

PROPRIETARY AND CONFIDENTIAL
THE INFORMATION CONTAINED IN THIS DRAWING IS THE SOLE PROPERTY OF MENCOM CORPORATION. ANY REPRODUCTION IN PART OR AS A WHOLE WITHOUT THE WRITTEN PERMISSION OF MENCOM CORPORATION IS PROHIBITED.



DETAIL A
SCALE 1 : 1

SLIDE LATCH TO OPEN/CLOSE
ROTATE LOCK TO LOCK CLOSED

