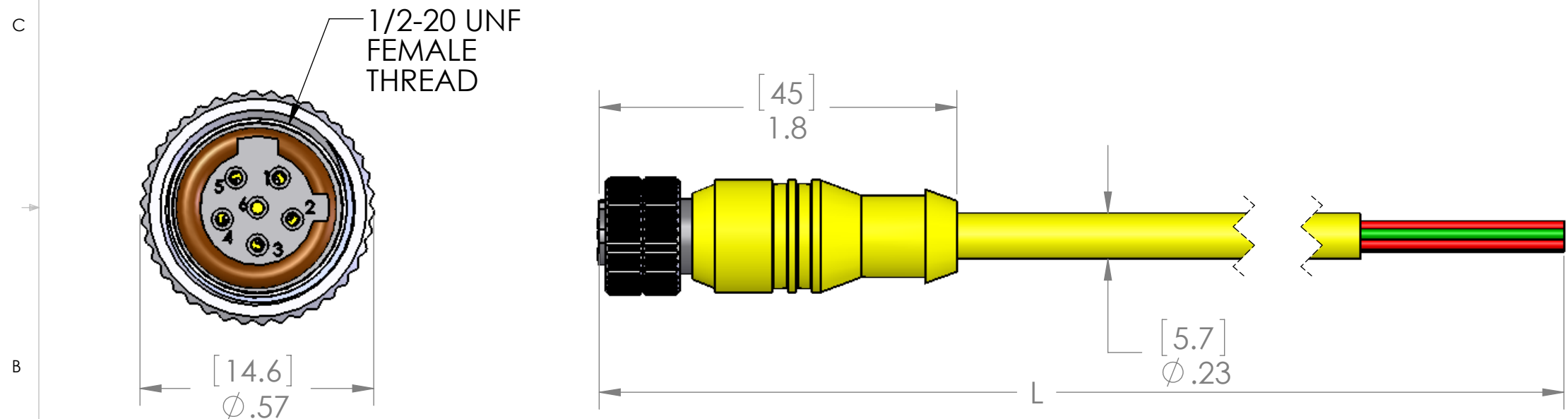


PIN #	COLOR
1	RED w/WHITE
2	RED
3	GREEN / YELLOW
4	RED w/ YELLOW
5	RED w/BLACK
6	RED w/BLUE

REVISIONS			
REV.	DESCRIPTION	DATE	APPROVED
A	INITIAL RELEASE	7/27/2005	
B	CHANGED TO METRIC LENGTHS	12/19/2014	JJH



P/N	L	STD?
MAC-6FP-1M	40" [1m]	YES
MAC-6FP-2M	79" [2m]	YES
MAC-6FP-3M	118" [3m]	YES
MAC-6FP-4M	157" [4m]	YES
MAC-6FP-5M	197" [5m]	YES
MAC-6FP-6M	236" [6m]	NO
MAC-6FP-8M	315" [8m]	NO
MAC-6FP-10M	393" [10m]	YES
MAC-6FP-15M	591" [15m]	YES
MAC-6FP-20M	787" [20m]	YES
MAC-6FP-30M	1181" [30m]	NO
MAC-6FP-50M	1968" [50m]	NO

MATERIALS	
BODY:	YELLOW PVC
CONTACTS:	GOLD PLATED COPPER ALLOY
CABLE:	22/6 AWM YELLOW PVC JACKET
COUPLING:	NICKEL PLATED BRASS
INSERT:	POLYAMIDE
O-RING:	FPM

APPROVALS:	
US	UL LISTED
CANADA	C-UL LISTED

PROPRIETARY AND CONFIDENTIAL
 THE INFORMATION CONTAINED IN THIS DRAWING IS THE SOLE PROPERTY OF MENCOM CORPORATION. ANY REPRODUCTION IN PART OR AS A WHOLE WITHOUT THE WRITTEN PERMISSION OF MENCOM CORPORATION IS PROHIBITED.

VOLTS	300V
AMPS	4A
TEMP	105°C

UNLESS OTHERWISE SPECIFIED:		NAME
DIMENSIONS ARE IN INCHES AND [MM]	DRAWN	DWM
	CHECKED	
	ENG APPR.	
	MFG APPR.	
	Q.A.	
MATERIAL	COMMENTS:	
FINISH		
DO NOT SCALE DRAWING		

PARTS LISTED AS NOT BEING STANDARD
 MAY REQUIRE MINIMUM ORDERS

MENCOM CORPORATION		
TITLE:		
SIZE	DWG. NO.	REV
B	MAC-6FP-ZZ	B
SCALE: 1.5:1 WEIGHT:		SHEET 1 OF 1