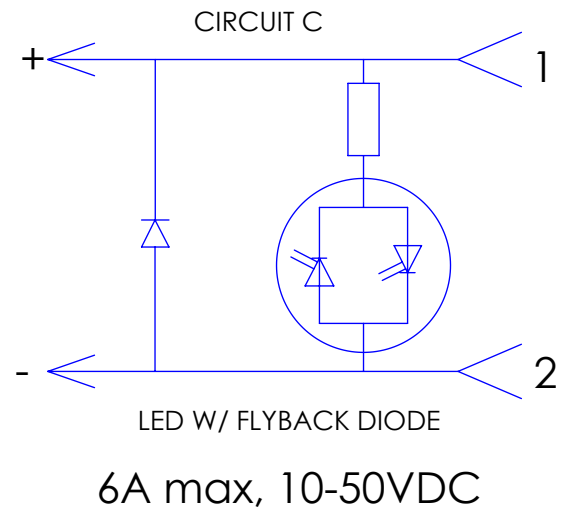
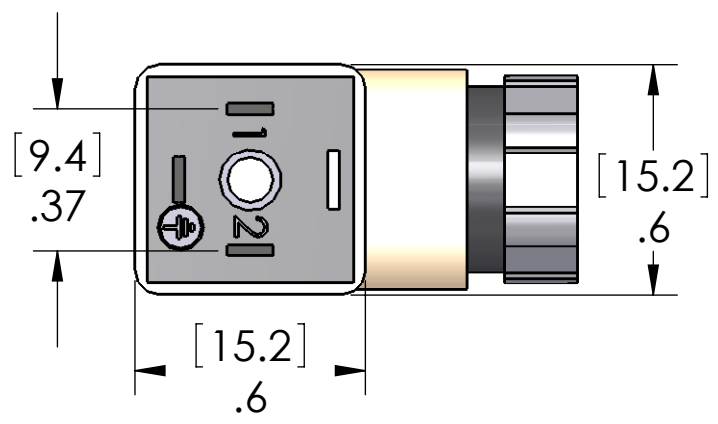


REVISIONS			
REV.	DESCRIPTION	DATE	APPROVED
A	REDRAWN IN SW	4/20/2007	BEM



GASKET INCLUDED BUT NOT SHOWN FOR CLARITY

CONNECTIONS VIA SCREW TERMINALS

MATERIALS:	
HOUSING:	TRANSLUCENT POLYAMIDE
INSERT:	POLYAMIDE
CONTACTS:	SILVER PLATED COPPER ALLOY
GROMMET:	THERMOPLASTIC RUBBER
GASKET:	THERMOPLASTIC RUBBER
SCREW:	ZINC PLATED STEEL

PROPRIETARY AND CONFIDENTIAL

THE INFORMATION CONTAINED IN THIS DRAWING IS THE SOLE PROPERTY OF MENCOM CORPORATION. ANY REPRODUCTION IN PART OR AS A WHOLE WITHOUT THE WRITTEN PERMISSION OF MENCOM CORPORATION IS PROHIBITED.

UNLESS OTHERWISE SPECIFIED:		NAME	
DIMENSIONS ARE IN INCHES AND [MM]	DRAWN	CAM	
	CHECKED		
	ENG APPR.		
	MFG APPR.		
	Q.A.		
MATERIAL	COMMENTS:		
FINISH			
DO NOT SCALE DRAWING			

MENCOM CORPORATION		
TITLE:		
ISC, 2+GND, FW, LED & DIODE		
SIZE	DWG. NO.	REV
B	VEC-027-00	A
SCALE: 2:1	WEIGHT:	SHEET 1 OF 1