

3M™ WIREMOUNT SOCKET, 3000 SERIES
 .100" X .100" FOR .050" PITCH CABLE, (OPTIONAL PLASTIC OR METAL STRAIN RELIEF)

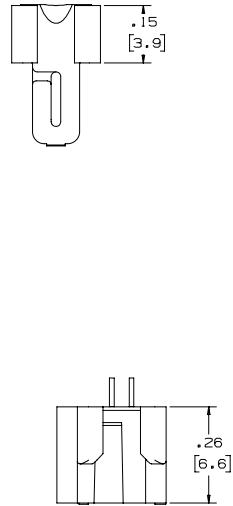
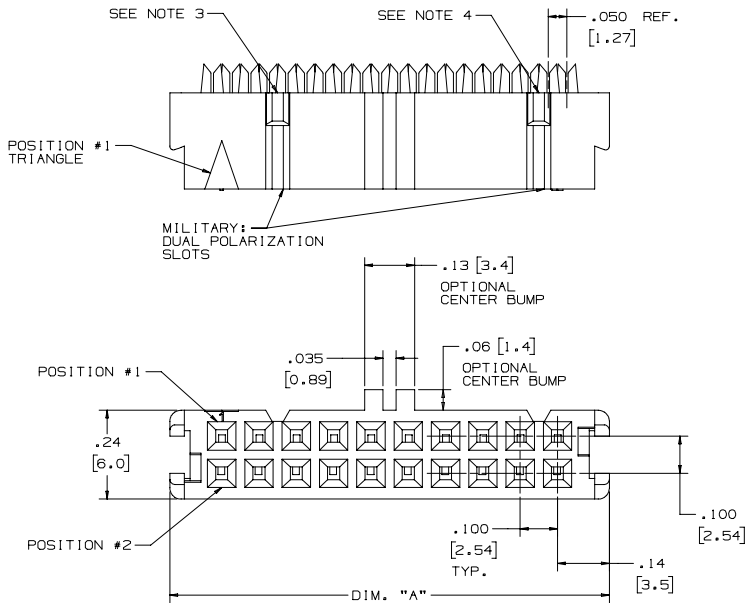
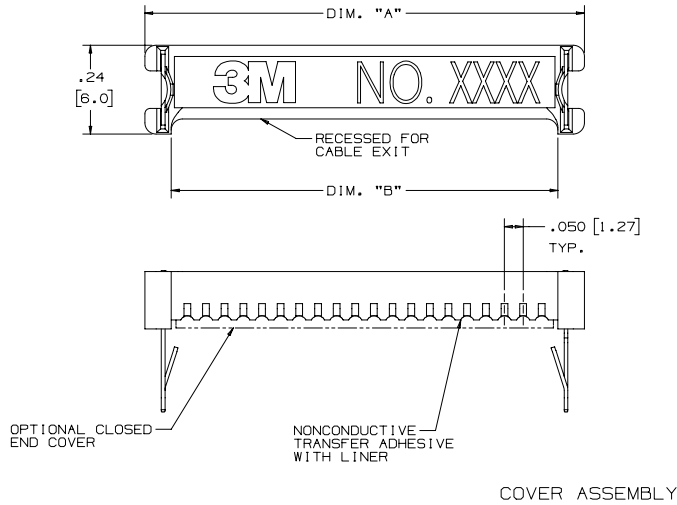
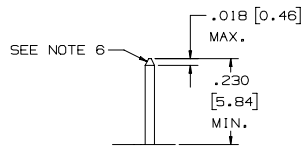
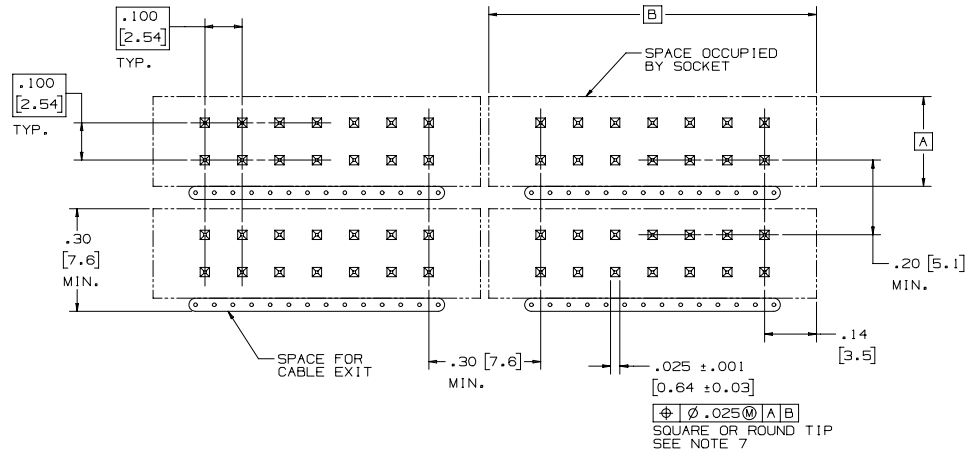


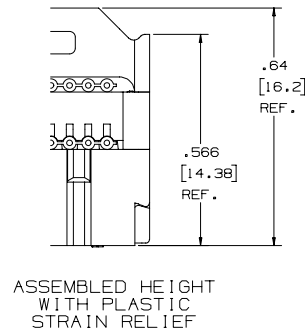
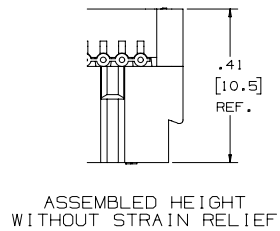
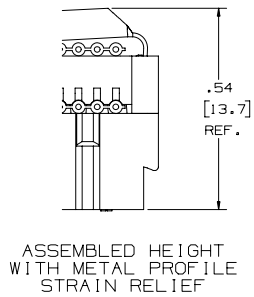
TABLE 1			
CONTACT QTY.	SOCKET SERIES	DIM. "A"	DIM. "B"
06	3863	0.48 [12.2]	0.34 [8.6]
08	3868	0.56 [14.7]	0.44 [11.2]
10	3473	0.68 [17.3]	0.54 [13.7]
14	3385	0.88 [22.4]	0.74 [18.8]
16	3452	0.98 [24.9]	0.84 [21.3]
20	3421	1.18 [30.0]	1.04 [26.4]
24	3626	1.38 [35.1]	1.24 [31.5]
26	3399	1.48 [37.6]	1.34 [34.0]
30	3419	1.68 [42.7]	1.54 [39.1]
34	3414	1.88 [47.8]	1.74 [44.2]
36	9436	1.98 [50.3]	1.84 [46.7]
40	3417	2.18 [55.4]	2.04 [51.8]
44	9444	2.38 [60.5]	2.24 [56.9]
50	3425	2.68 [68.1]	2.54 [64.5]
60	3334	3.18 [80.8]	3.04 [77.2]

DESIGN REFERENCE	NEXT ASSEMBLY	REV	ECD	ISSUE DATE AND DESCRIPTION	DRFT	CHKD
				JUN 21, 2021		
				JUN 22, 2021		
DIVISION	DIVISION CODE	© 3M COPYRIGHT 2021 This document and the information it contains are the property of 3M and are not to be reproduced or further distributed without the express written consent of 3M. All rights reserved.				
DO NOT SCALE DRAWING	SCALE 1	TOLERANCES EXCEPT AS NOTED INCHES .00 ±.01 .000 ±.005 .0000 ±.0002 MILLIMETERS .0 ±.01 .00 ±.005 .000 ±.001				
THIRD ANGLE PROJECTION	ASME Y14.5 - 2018	TITLE WIREMOUNT SOCKET, .100" X .100", .050" PITCH CABLE				
INTERPRET PER		CASE NUMBER 78-5100-0718-6				
INK SURFACE ROUGHNESS		MODELS 3000				
MARKED ONLY		REV. G SHT 2 OF 4				

3M™ WIREMOUNT SOCKET, 3000 SERIES
 .100" X .100" FOR .050" PITCH CABLE, (OPTIONAL PLASTIC OR METAL STRAIN RELIEF)



RECOMMENDED PIN PATTERN FOR STACKED CONFIGURATIONS



DESIGN REFERENCE		NEXT ASSEMBLY		REV	ECD	ISSUE DATE AND DESCRIPTION		DRFT	CHKD
G 97305		JUN 21, 2021		JNC	SAN	REVISED AND REDRAWN			
DATE		DATE		DATE		DATE		DATE	
JUN 21, 2021		JUN 21, 2021		JUN 21, 2021		JUN 21, 2021		JUN 22, 2021	
DWG		DATE		DATE		DATE		DATE	
G 97305		JUN 21, 2021		JUN 21, 2021		JUN 21, 2021		JUN 22, 2021	
DIVISION		DIVISION CODE		3M		© 3M COPYRIGHT 2021			
DO NOT SCALE DRAWING		SCALE		1		TOLERANCES EXCEPT AS NOTED			
THIRD ANGLE PROJECTION		INCHES		1:1		.00 ±.01			
INTERPRET PER ASME Y14.5 - 2018		MILLIMETERS		0		.000 ±.005			
FINISH SURFACE ROUGHNESS		MARK SURFACES		0		.00 ±.002			
MARKED ONLY		ANGLES		0		.00 ±.002			
MODEL		3000		REV. NUMBER		G 78-5100-0718-6		REV. G	
LISTS		YES		NO		SHT 3 OF 4			

3M™ WIREMOUNT SOCKET, 3000 SERIES
 .100" X .100" FOR .050" PITCH CABLE, (OPTIONAL PLASTIC OR METAL STRAIN RELIEF)

Regulatory: For regulatory information about this product, visit 3M.com/regs or contact your 3M representative.

Technical Information: The technical information, recommendations and other statements contained in this document are based upon tests or experience that 3M believes are reliable, but the accuracy or completeness of such information is not guaranteed.

Product Use: Many factors beyond 3M's control and uniquely within user's control can affect the use and performance of a 3M product in a particular application. Given the variety of factors that can affect the use and performance of a 3M product, user is solely responsible for evaluating the 3M product and determining whether it is fit for a particular purpose and suitable for user's method of application.

Warranty, Limited Remedy, and Disclaimer: Unless an additional warranty is specifically stated on the applicable 3M product packaging or product literature, 3M warrants that each 3M product meets the applicable 3M product specification at the time 3M ships the product. 3M MAKES NO OTHER WARRANTIES OR CONDITIONS, EXPRESS OR IMPLIED, INCLUDING, BUT NOT LIMITED TO, ANY IMPLIED WARRANTY OR CONDITION OF MERCHANTABILITY OR FITNESS FOR A PARTICULAR PURPOSE OR ANY IMPLIED WARRANTY OR CONDITION ARISING OUT OF A COURSE OF DEALING, CUSTOM OR USAGE OR TRADE. If the 3M product does not conform to this warranty, then the sole and exclusive remedy is, at 3M's option, replacement of the 3M product or refund of the purchase price.

Limitation of Liability: Except where prohibited by law, 3M will not be liable for any loss or damage arising from the 3M product, whether direct, indirect, special, incidental or consequential, regardless of the legal theory asserted, including warranty, contract, negligence or strict liability.

3M Company
 Electronics Materials Solutions Division
 13011 McCallen Pass, Bldg. C
 Austin, TX 78753-5380
 1-800-225-5373
www.3M.com/interconnect

DESIGN REFERENCE		NEXT ASSEMBLY		REV	ECD	ISSUE DATE AND DESCRIPTION		DRFT	CHKD
G 97305		JUN 21, 2021		JNC	SAN	REVISED AND REDRAWN			
DATE		DATE		DATE		DATE		DATE	
JUN 21, 2021		JUN 21, 2021		JUN 21, 2021		JUN 21, 2021		JUN 21, 2021	
DATE		DATE		DATE		DATE		DATE	
JUN 22, 2021		JUN 22, 2021		JUN 22, 2021		JUN 22, 2021		JUN 22, 2021	
DATE		DATE		DATE		DATE		DATE	
JUN 22, 2021		JUN 22, 2021		JUN 22, 2021		JUN 22, 2021		JUN 22, 2021	
DATE		DATE		DATE		DATE		DATE	
JUN 22, 2021		JUN 22, 2021		JUN 22, 2021		JUN 22, 2021		JUN 22, 2021	
DATE		DATE		DATE		DATE		DATE	
JUN 22, 2021		JUN 22, 2021		JUN 22, 2021		JUN 22, 2021		JUN 22, 2021	
DATE		DATE		DATE		DATE		DATE	
JUN 22, 2021		JUN 22, 2021		JUN 22, 2021		JUN 22, 2021		JUN 22, 2021	
DATE		DATE		DATE		DATE		DATE	
JUN 22, 2021		JUN 22, 2021		JUN 22, 2021		JUN 22, 2021		JUN 22, 2021	
DATE		DATE		DATE		DATE		DATE	
JUN 22, 2021		JUN 22, 2021		JUN 22, 2021		JUN 22, 2021		JUN 22, 2021	
DATE		DATE		DATE		DATE		DATE	
JUN 22, 2021		JUN 22, 2021		JUN 22, 2021		JUN 22, 2021		JUN 22, 2021	
DATE		DATE		DATE		DATE		DATE	
JUN 22, 2021		JUN 22, 2021		JUN 22, 2021		JUN 22, 2021		JUN 22, 2021	
DATE		DATE		DATE		DATE		DATE	
JUN 22, 2021		JUN 22, 2021		JUN 22, 2021		JUN 22, 2021		JUN 22, 2021	
DATE		DATE		DATE		DATE		DATE	
JUN 22, 2021		JUN 22, 2021		JUN 22, 2021		JUN 22, 2021		JUN 22, 2021	
DATE		DATE		DATE		DATE		DATE	
JUN 22, 2021		JUN 22, 2021		JUN 22, 2021		JUN 22, 2021		JUN 22, 2021	
DATE		DATE		DATE		DATE		DATE	
JUN 22, 2021		JUN 22, 2021		JUN 22, 2021		JUN 22, 2021		JUN 22, 2021	
DATE		DATE		DATE		DATE		DATE	
JUN 22, 2021		JUN 22, 2021		JUN 22, 2021		JUN 22, 2021		JUN 22, 2021	
DATE		DATE		DATE		DATE		DATE	
JUN 22, 2021		JUN 22, 2021		JUN 22, 2021		JUN 22, 2021		JUN 22, 2021	
DATE		DATE		DATE		DATE		DATE	
JUN 22, 2021		JUN 22, 2021		JUN 22, 2021		JUN 22, 2021		JUN 22, 2021	
DATE		DATE		DATE		DATE		DATE	
JUN 22, 2021		JUN 22, 2021		JUN 22, 2021		JUN 22, 2021		JUN 22, 2021	
DATE		DATE		DATE		DATE		DATE	
JUN 22, 2021		JUN 22, 2021		JUN 22, 2021		JUN 22, 2021		JUN 22, 2021	
DATE		DATE		DATE		DATE		DATE	
JUN 22, 2021		JUN 22, 2021		JUN 22, 2021		JUN 22, 2021		JUN 22, 2021	
DATE		DATE		DATE		DATE		DATE	
JUN 22, 2021		JUN 22, 2021		JUN 22, 2021		JUN 22, 2021		JUN 22, 2021	
DATE		DATE		DATE		DATE		DATE	
JUN 22, 2021		JUN 22, 2021		JUN 22, 2021		JUN 22, 2021		JUN 22, 2021	
DATE		DATE		DATE		DATE		DATE	
JUN 22, 2021		JUN 22, 2021		JUN 22, 2021		JUN 22, 2021		JUN 22, 2021	
DATE		DATE		DATE		DATE		DATE	
JUN 22, 2021		JUN 22, 2021		JUN 22, 2021		JUN 22, 2021		JUN 22, 2021	
DATE		DATE		DATE		DATE		DATE	
JUN 22, 2021		JUN 22, 2021		JUN 22, 2021		JUN 22, 2021		JUN 22, 2021	
DATE		DATE		DATE		DATE		DATE	
JUN 22, 2021		JUN 22, 2021		JUN 22, 2021		JUN 22, 2021		JUN 22, 2021	
DATE		DATE		DATE		DATE		DATE	
JUN 22, 2021		JUN 22, 2021		JUN 22, 2021		JUN 22, 2021		JUN 22, 2021	
DATE		DATE		DATE		DATE		DATE	
JUN 22, 2021		JUN 22, 2021		JUN 22, 2021		JUN 22, 2021		JUN 22, 2021	
DATE		DATE		DATE		DATE		DATE	
JUN 22, 2021		JUN 22, 2021		JUN 22, 2021		JUN 22, 2021		JUN 22, 2021	
DATE		DATE		DATE		DATE		DATE	
JUN 22, 2021		JUN 22, 2021		JUN 22, 2021		JUN 22, 2021		JUN 22, 2021	
DATE		DATE		DATE		DATE		DATE	
JUN 22, 2021		JUN 22, 2021		JUN 22, 2021		JUN 22, 2021		JUN 22, 2021	
DATE		DATE		DATE		DATE		DATE	
JUN 22, 2021		JUN 22, 2021		JUN 22, 2021		JUN 22, 2021		JUN 22, 2021	
DATE		DATE		DATE		DATE		DATE	
JUN 22, 2021		JUN 22, 2021		JUN 22, 2021		JUN 22, 2021		JUN 22, 2021	
DATE		DATE		DATE		DATE		DATE	
JUN 22, 2021		JUN 22, 2021		JUN 22, 2021		JUN 22, 2021		JUN 22, 2021	
DATE		DATE		DATE		DATE		DATE	
JUN 22, 2021		JUN 22, 2021		JUN 22, 2021		JUN 22, 2021		JUN 22, 2021	
DATE		DATE		DATE		DATE		DATE	
JUN 22, 2021		JUN 22, 2021		JUN 22, 2021		JUN 22, 2021		JUN 22, 2021	
DATE		DATE		DATE		DATE		DATE	
JUN 22, 2021		JUN 22, 2021		JUN 22, 2021		JUN 22, 2021		JUN 22, 2021	
DATE		DATE		DATE		DATE		DATE	
JUN 22, 2021		JUN 22, 2021		JUN 22, 2021		JUN 22, 2021		JUN 22, 2021	
DATE		DATE		DATE		DATE		DATE	
JUN 22, 2021		JUN 22, 2021		JUN 22, 2021		JUN 22, 2021		JUN 22, 2021	
DATE		DATE		DATE		DATE		DATE	
JUN 22, 2021		JUN 22, 2021		JUN 22, 2021		JUN 22, 2021		JUN 22, 2021	
DATE		DATE		DATE		DATE		DATE	
JUN 22, 2021		JUN 22, 2021		JUN 22, 2021		JUN 22, 2021		JUN 22, 2021	
DATE		DATE		DATE		DATE		DATE	
JUN 22, 2021		JUN 22, 2021		JUN 22, 2021		JUN 22, 2021		JUN 22, 2021	
DATE		DATE		DATE		DATE		DATE	
JUN 22, 2021		JUN 22, 2021		JUN 22, 2021		JUN 22, 2021		JUN 22, 2021	
DATE		DATE		DATE		DATE		DATE	
JUN 22, 2021		JUN 22, 2021		JUN 22, 2021		JUN 22, 2021		JUN 22, 2021	
DATE		DATE		DATE		DATE		DATE	
JUN 22, 2021		JUN 22, 2021		JUN 22, 2021		JUN 22, 2021		JUN 22, 2021	
DATE		DATE		DATE		DATE		DATE	
JUN 22, 2021		JUN 22, 2021		JUN 22, 2021		JUN 22, 2021		JUN 22, 2021	
DATE		DATE		DATE		DATE		DATE	
JUN 22, 2021		JUN 22, 2021		JUN 22, 2021		JUN 22, 2021		JUN 22, 2021	
DATE		DATE		DATE		DATE		DATE	
JUN 22, 2021		JUN 22, 2021		JUN 22, 2021		JUN 22, 2021		JUN 22, 2021	
DATE		DATE		DATE		DATE		DATE	
JUN 22, 2021		JUN 22, 2021		JUN 22, 2021		JUN 22, 2021		JUN 22, 2021	
DATE		DATE		DATE		DATE		DATE	
JUN 22, 2021		JUN 22, 2021		JUN 22, 2021		JUN 22, 2021		JUN 22, 2021	
DATE		DATE		DATE		DATE		DATE	
JUN 22, 2021		JUN 22, 2021		JUN 22, 2021		JUN 22, 2021		JUN 22, 2021	
DATE		DATE		DATE		DATE		DATE	
JUN 22, 2021		JUN 22, 2021		JUN 22, 2021		JUN 22, 2021		JUN 22, 2021	
DATE		DATE		DATE		DATE		DATE	
JUN 22, 2021		JUN 22, 2021		JUN 22, 2021		JUN 22, 2021		JUN 22, 2021	
DATE		DATE		DATE		DATE		DATE	
JUN 22, 2021		JUN 22, 2021		JUN 22, 2021		JUN 22, 2021		JUN 22, 2021	
DATE		DATE		DATE		DATE		DATE	
JUN 22, 2021		JUN 22, 2021		JUN 22, 2021		JUN 22, 2021		JUN 22, 2021	
DATE		DATE		DATE		DATE		DATE	
JUN 22, 2021		JUN 22, 2021		JUN 22, 2021		JUN 22, 2021		JUN 22, 2021	
DATE		DATE		DATE		DATE		DATE	
JUN 22, 2021		JUN 22, 2021		JUN 22, 2021		JUN 22, 2021		JUN 22, 2021	
DATE		DATE		DATE		DATE		DATE	
JUN 22, 2021		JUN 22, 2021		JUN 22, 2021		JUN 22, 2021		JUN 22, 2021	
DATE		DATE		DATE		DATE		DATE	
JUN 22, 2021		JUN 22, 2021		JUN 22, 2021		JUN 22, 2021		JUN 22, 2021	
DATE		DATE		DATE		DATE		DATE	
JUN 22, 2021		JUN 22, 2021		JUN 22, 2021		JUN 22, 2021		JUN 22, 2021	
DATE		DATE		DATE		DATE		DATE	
JUN 22, 2021		JUN 22, 2021		JUN 22, 2021		JUN 22, 2021		JUN 22, 2021	
DATE		DATE		DATE		DATE		DATE	
JUN 22, 2021		JUN 22, 2021		JUN 22, 2021		JUN 22, 2021		JUN 22, 2021	
DATE		DATE		DATE		DATE		DATE	
JUN 22, 2021		JUN 22, 2021		JUN 22, 2021		JUN 22, 2021		JUN 22, 2021	
DATE		DATE		DATE		DATE		DATE	
JUN 22, 2021		JUN 22, 2021		JUN 22, 2021		JUN 22, 2021		JUN 22, 2021	
DATE		DATE		DATE		DATE		DATE	
JUN 22, 2021		JUN 22, 2021		JUN 22, 2021		JUN 22, 2021		JUN 22, 2021	
DATE		DATE		DATE		DATE		DATE	
JUN 22, 2021		JUN 22, 2021		JUN 22, 2021		JUN 22, 2021		JUN 22, 2021	
DATE		DATE		DATE		DATE		DATE	
JUN 22, 2021		JUN 22, 2021		JUN 22, 2021		JUN 22, 2021		JUN 22, 2021	
DATE		DATE		DATE		DATE		DATE	
JUN 22, 2021		JUN 22, 2021		JUN 22, 2021		JUN 22, 2021		JUN 22, 2021	
DATE		DATE		DATE		DATE		DATE	
JUN 22, 2021		JUN 22, 2021		JUN 22, 2021		JUN 22, 2021		JUN 22, 2021	
DATE		DATE		DATE		DATE		DATE	
JUN 2									