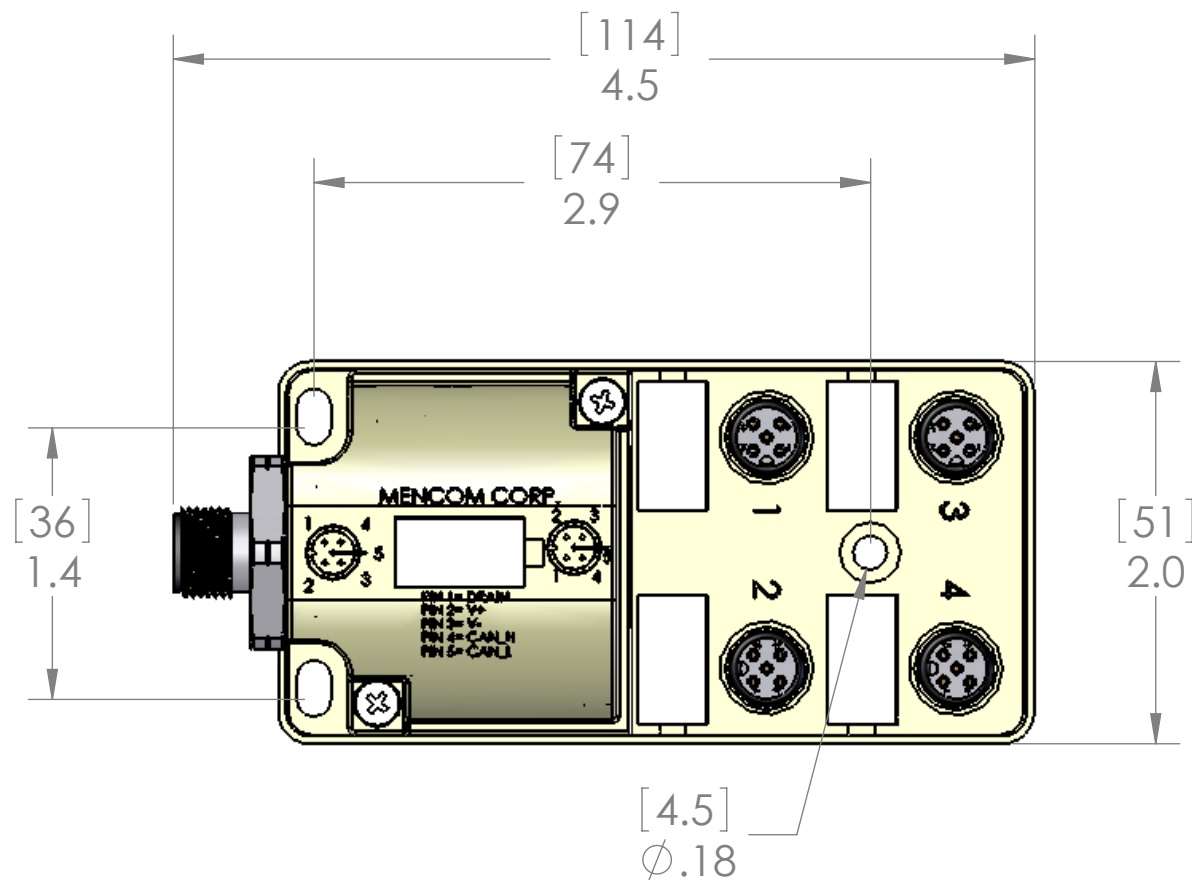
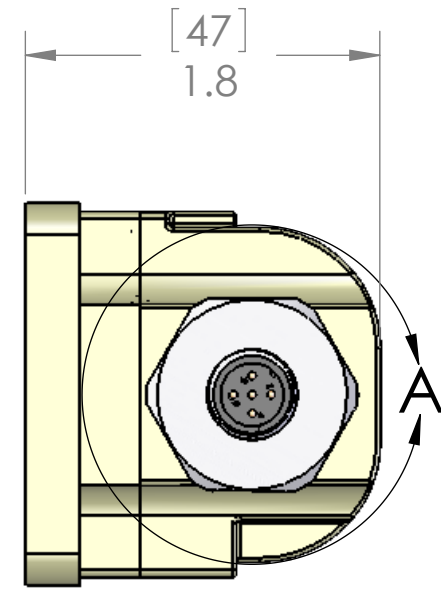
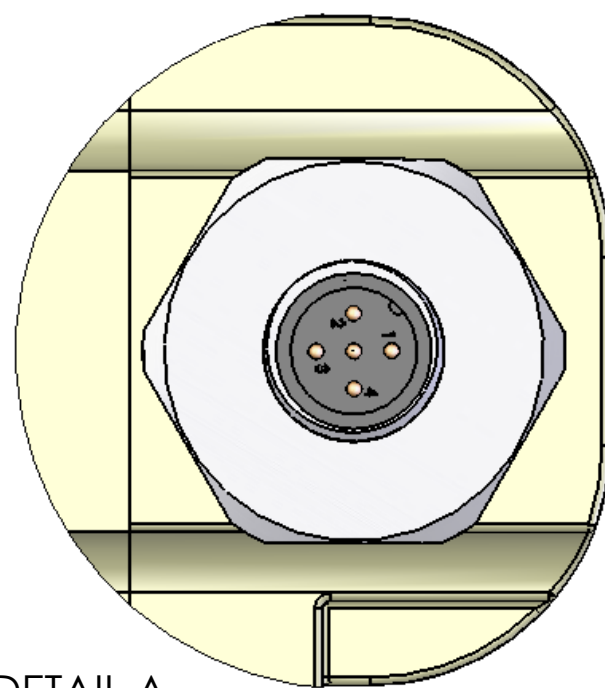


5 PIN MALE	PORT / PIN
1	ALL PORTS / PIN #1
2	ALL PORTS / PIN #2
3	ALL PORTS / PIN #3
4	ALL PORTS / PIN #4
5	ALL PORTS / PIN #5

REVISIONS			
REV.	DESCRIPTION	DATE	APPROVED
A	REDRAWN IN SW	7/11/2007	



DETAIL A
SCALE 2:1

MATERIALS:	
BODY:	PBT
MARKERS:	POLYAMIDE
INSERTS:	POLYAMIDE
GLAND:	POLYAMIDE
CONTACTS:	GOLD PLATED COPPER ALLOY
O-RINGS:	NBR
MALE RECP:	ANODIZED ALUMINUM HSG
RATINGS:	
VOLTS:	120V MAX
AMPS:	2A PER PORT, 10A PER BLOCK

PROPRIETARY AND CONFIDENTIAL
 THE INFORMATION CONTAINED IN THIS DRAWING IS THE SOLE PROPERTY OF MENCOM CORPORATION. ANY REPRODUCTION IN PART OR AS A WHOLE WITHOUT THE WRITTEN PERMISSION OF MENCOM CORPORATION IS PROHIBITED.

UNLESS OTHERWISE SPECIFIED:		NAME		MENCOM CORPORATION		
DIMENSIONS ARE IN INCHES AND [MM]		DRAWN	DWM			
MATERIAL		CHECKED		TITLE:		
		ENG APPR.				
		MFG APPR.				
		Q.A.				
FINISH		COMMENTS:		SIZE	DWG. NO.	REV
				B	JDN-450-005-E000	A
DO NOT SCALE DRAWING				SCALE: 1:1	WEIGHT:	SHEET 1 OF 1