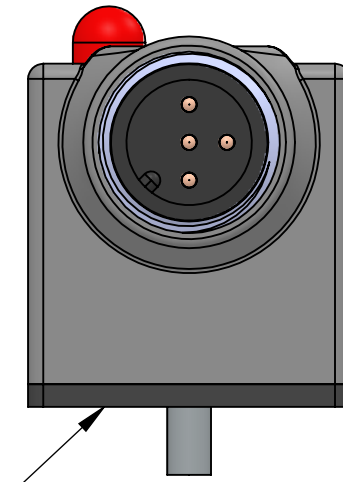
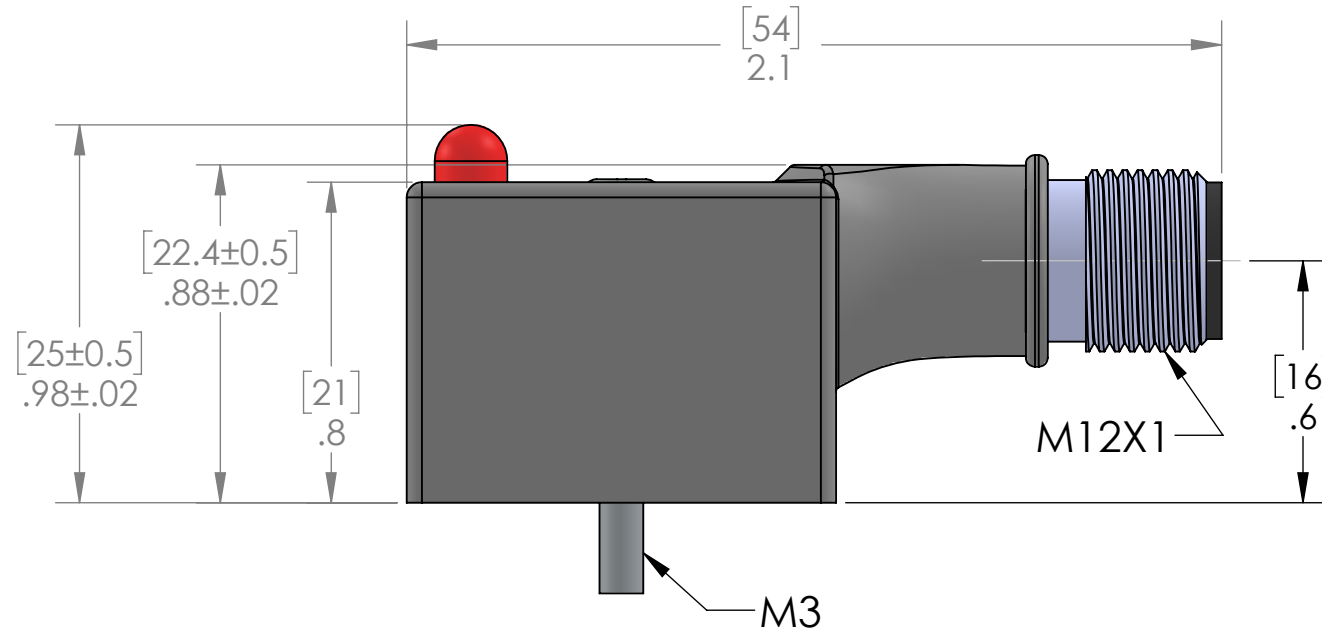
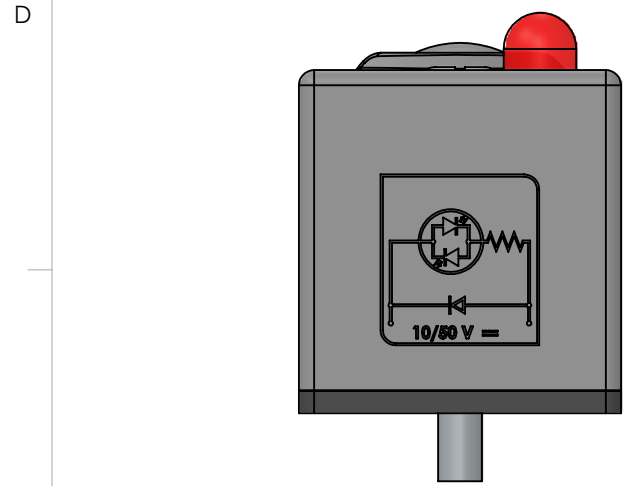
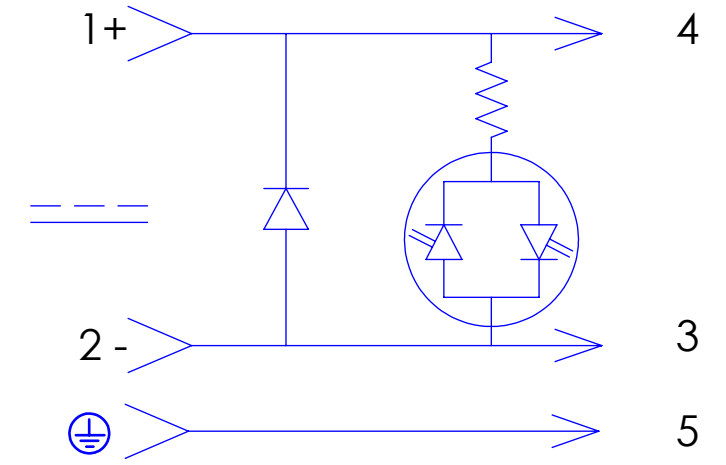
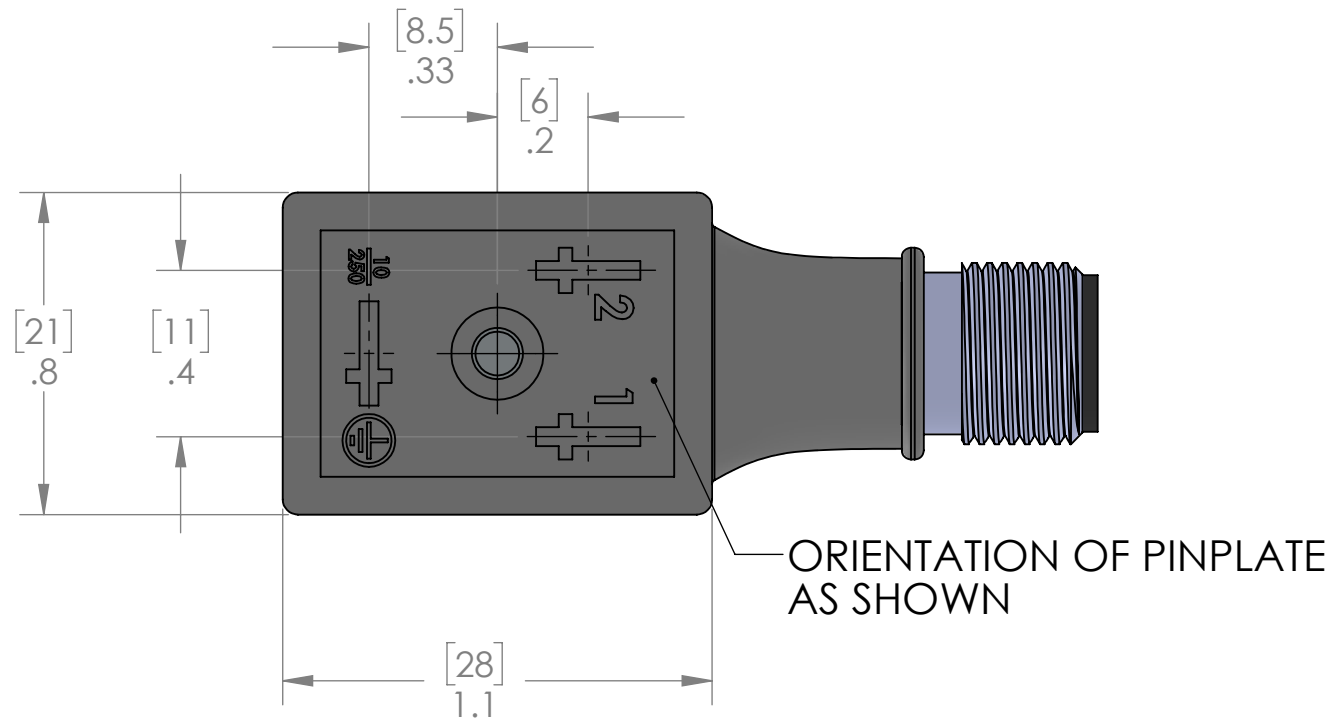
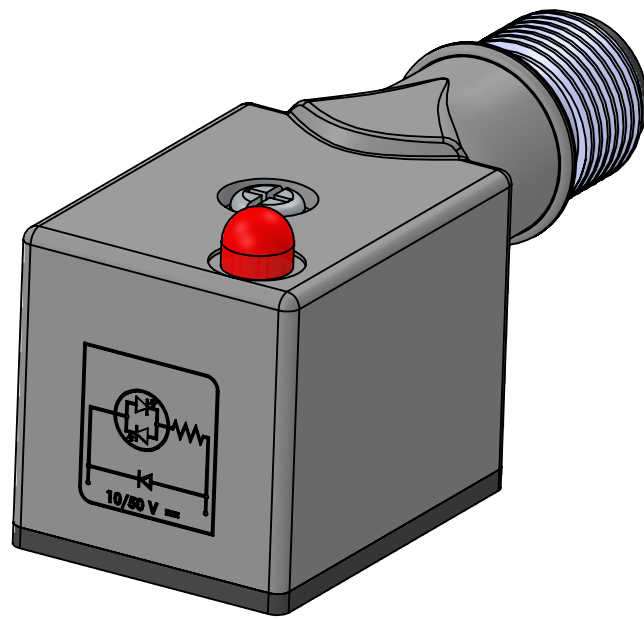


DIN		M12
1	----	4
2	----	3
GND	----	5
N.A.		2



FLAT GASKET INCL.  
(NOT SHOWN IN OTHER VIEWS)



LED W/ PARALLEL FLYBACK  
DIODE 10 - 50 VDC

MATERIAL	
<b>DIN CONNECTOR</b>	
BODY:	BLACK POLYAMIDE
CONTACTS:	SILVER PLATED COPPER ALLOY
GASKET:	THERMOPLASTIC
SCREW:	STEEL ZINC PLATE
<b>MDC CONNECTOR</b>	
BODY:	NICKEL PLATED BRASS
CONTACTS:	GOLD PLATED COPPER ALLOY
INSERT:	BLACK POLYAMIDE
PROTECTION:	IP65 EN 60529 (DIN 40050)

ADAPTER	
FORM:	B RECTANGULAR IND. STD
CIRCUIT:	LED + PARALLEL DIODE 10 / 50 V
LED:	RED BIPOLAR
GASKET:	FLAT GASKET
CONNECTOR:	M12

**PROPRIETARY AND CONFIDENTIAL**  
THE INFORMATION CONTAINED IN THIS DRAWING IS THE SOLE PROPERTY OF MENCOM CORPORATION. ANY REPRODUCTION IN PART OR AS A WHOLE WITHOUT THE WRITTEN PERMISSION OF MENCOM CORPORATION IS PROHIBITED.

VOLTS	10 - 50 V
AMPS	4 A
TEMP:	-25 C / +90 C

UNLESS OTHERWISE SPECIFIED:	DRAWN BY	DCG
DIMENSIONS ARE IN INCHES AND [MM]	DRAWN DATE	02/24/2023
	CHECKED BY	JJH
	CHECK DATE	02/24/2023
	COMMENTS:	
MATERIAL		
FINISH		
DO NOT SCALE DRAWING		

MENCOM CORPORATION		
TITLE:		
SIZE	DWG. NO.	REV
<b>B</b>	VDC-089-3401	<b>B</b>
SCALE: 2:1	WEIGHT:	SHEET 1 OF 1