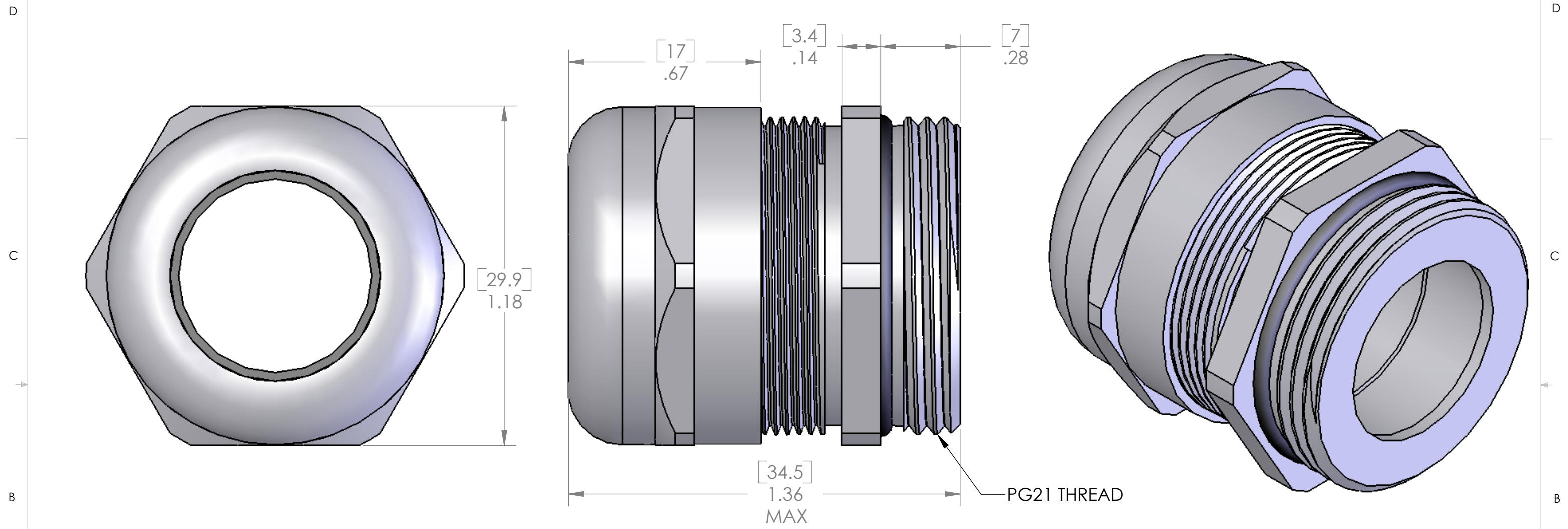


8 7 6 5 4 3 2 1

REVISIONS			
REV.	DESCRIPTION	DATE	APPROVED
A	REDRAWN IN NEW CAD	12/2/2004	BEM
B	ADDED TAB;ES	6/1/2006	



LOCK NUT INCLUDED BUT NOT SHOWN

SEAL RATED TO: IP 68

SPECIFICATIONS:	(B)
TIGHTENING TORQUE:	10 Nm
TEMPERATURE:	-20°C - +100°C

PART NUMBER	SEALING RANGE
(B) MCGB-21	.512 - .709 [13 - 18 mm]
MCGB-21R	.354 - .630 [9 - 16 mm]

MATERIALS:	
BODY:	NICKEL PLATED BRASS
INSERT:	POLYAMIDE
GROMMET:	NEOPRENE
LOCK NUT:	NICKEL PLATED BRASS
O-RING:	BUNA-N

**PROPRIETARY AND CONFIDENTIAL**  
 THE INFORMATION CONTAINED IN THIS DRAWING IS THE SOLE PROPERTY OF MENCOM CORPORATION. ANY REPRODUCTION IN PART OR AS A WHOLE WITHOUT THE WRITTEN PERMISSION OF MENCOM CORPORATION IS PROHIBITED.

UNLESS OTHERWISE SPECIFIED:	NAME
DIMENSIONS ARE IN INCHES AND [MM]	BEM
	DRAWN
	CHECKED
	ENG APPR.
	MFG APPR.
	Q.A.
	COMMENTS:
MATERIAL	
FINISH	
DO NOT SCALE DRAWING	

MENCOM CORPORATION		
TITLE:		
SIZE	DWG. NO.	REV
<b>B</b>	MCGB-21	<b>B</b>
SCALE: 3:1	WEIGHT:	SHEET 1 OF 1

8 7 6 5 4 3 2 1