

D

C

B

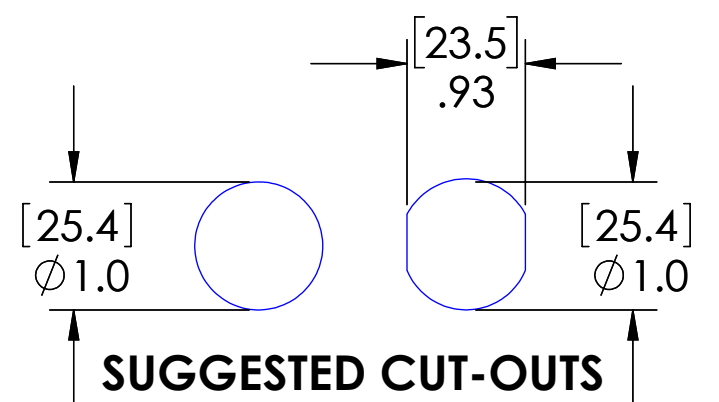
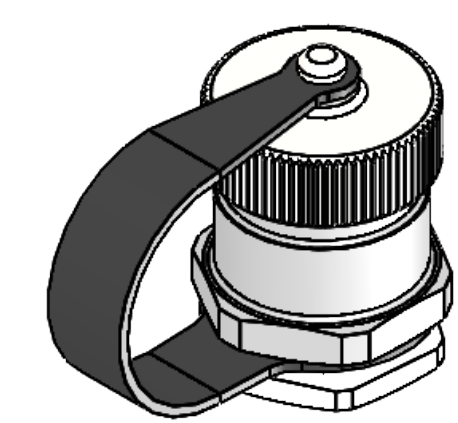
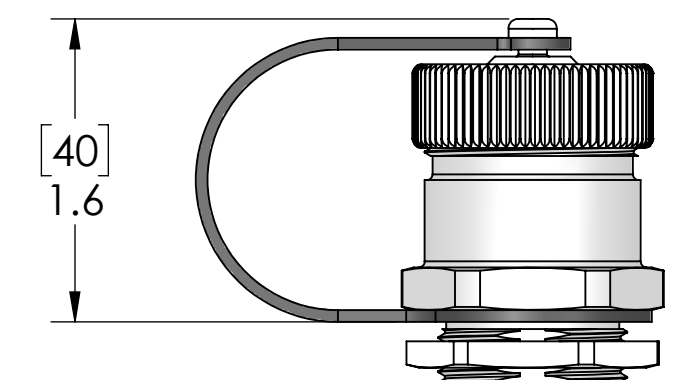
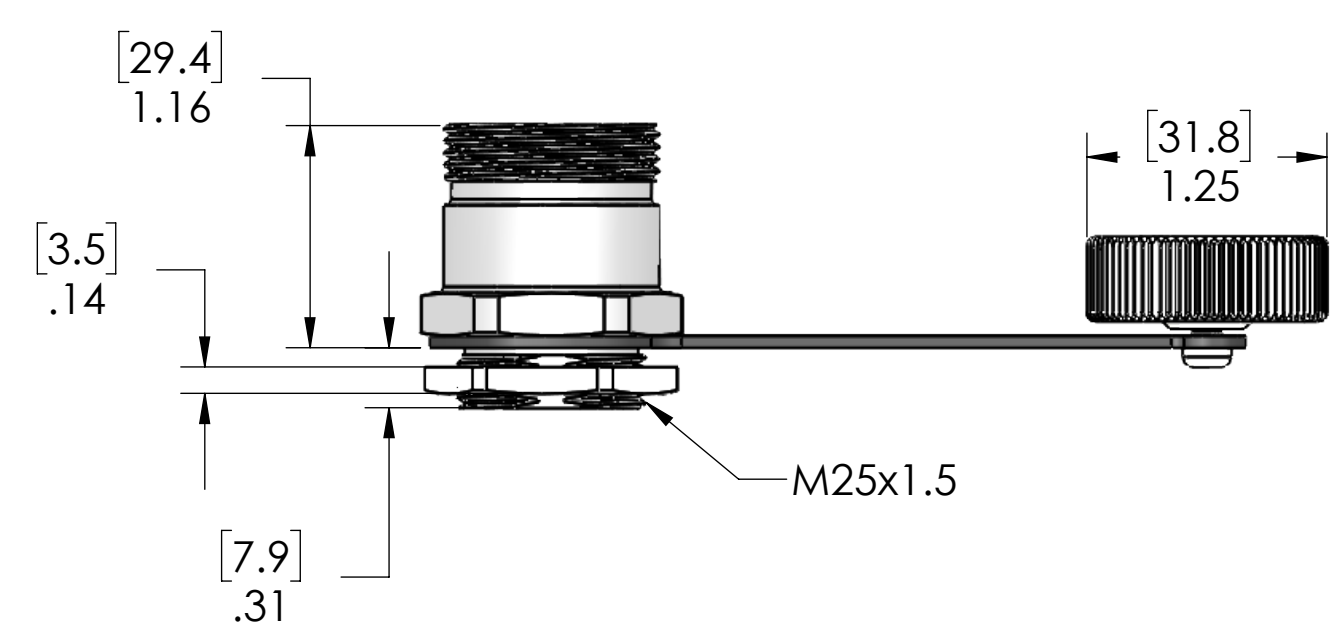
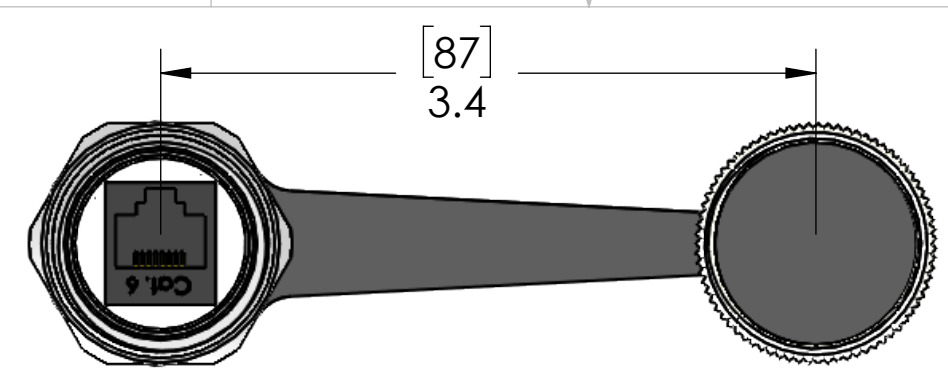
A

D

C

B

A



SUGGESTED CUT-OUTS

M25x1.5

These devices shall be mounted on enclosures having adequate strength and thickness and with adequate spacing provided. Seal rating is based on mounting to a surface that is clean, flat and smooth.

MATERIALS:	
BODY & CAP:	316 STAINLESS STEEL
TETHER/GASKET:	TPE
CONNECTOR:	CAT 6 RJ45 JACK TO JACK
LOCKNUT:	NICKEL PLATED BRASS
SEAL:	UL TYPE 4, 4X, 6P, 12
CERTIFICATIONS:	
SEAL:	UL TYPE 4, 4X, 6P, 12 IP67 & 69
US:	UL LISTED
CANADA:	c-UL LISTED



PROPRIETARY AND CONFIDENTIAL
THE INFORMATION CONTAINED IN THIS DRAWING IS THE SOLE PROPERTY OF MENCOM CORPORATION. ANY REPRODUCTION IN PART OR AS A WHOLE WITHOUT THE WRITTEN PERMISSION OF MENCOM CORPORATION IS PROHIBITED.

UNLESS OTHERWISE SPECIFIED:
DIMENSIONS ARE IN INCHES AND [MM]
MATERIAL
FINISH
DO NOT SCALE DRAWING

DRAWN BY	ADM
DRAWN DATE	08/22/2018
CHECKED BY	GO
CHECK DATE	08/22/2018

COMMENTS:

MENCOM CORPORATION		
TITLE: RJ45 PASSTHROUGH		
SIZE B	DWG. NO. RJ45-M25-SS	REV B
SCALE: 2:3	WEIGHT:	SHEET 1 OF 1