

WIRING		
MALE		MALE
PIN #		PIN #
1	WHITE w/ORANGE	1
2	WHITE w/GREEN	2
3	ORANGE	3
4	GREEN	4

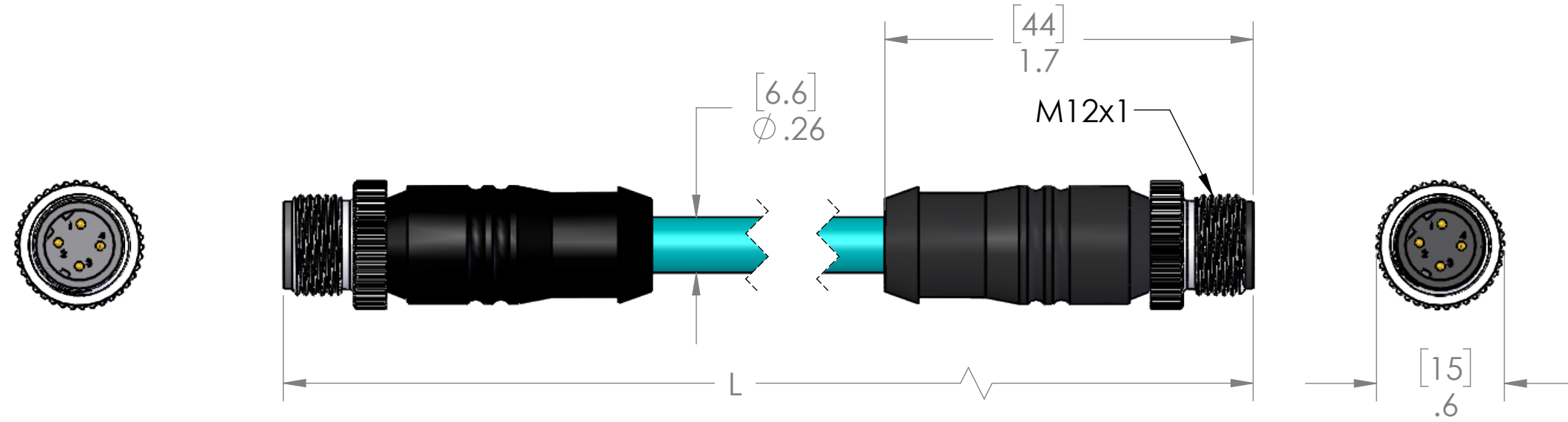


TABLE A		
P/N	L	STD?
MDE45WB-4MMP-0.5M	20" [0.5M]	NO
MDE45WB-4MMP-1M	40" [1M]	YES
MDE45WB-4MMP-1.5M	59" [1.5M]	NO
MDE45WB-4MMP-2M	79" [2M]	YES
MDE45WB-4MMP-3M	118" [3M]	NO
MDE45WB-4MMP-4M	157" [4M]	NO
MDE45WB-4MMP-5M	197" [5M]	YES
MDE45WB-4MMP-6M	236" [6M]	NO
MDE45WB-4MMP-8M	315" [8M]	NO
MDE45WB-4MMP-10M	393" [10M]	YES
MDE45WB-4MMP-15M	591" [15M]	YES
MDE45WB-4MMP-20M	786" [20M]	NO
MDE45WB-4MMP-25M	983" [25M]	NO
MDE45WB-4MMP-30M	1179" [30M]	NO

PARTS LISTED AS NOT BEING STANDARD  
MAY HAVE MINIMUM ORDER QUANTITIES

MATERIALS	
BODY:	BLACK PVC
CONTACTS:	GOLD PLATED COPPER ALLOY
CABLE:	2 PR 24AWG CAT 5 SHIELDED TPE JKT
COUPLING:	NICKEL PLATED BRASS
INSERT:	POLYAMIDE
O-RING:	FPM
PHYSICAL PROPERTIES	
FLEX LIFE:	1MM @ 10X CABLE OD, MINIMUM RADIUS 10MM @ 20X CABLE OD, MINIMUM RADIUS

**PROPRIETARY AND CONFIDENTIAL**  
THE INFORMATION CONTAINED IN THIS DRAWING IS THE SOLE PROPERTY OF MENCOM CORPORATION. ANY REPRODUCTION IN PART OR AS A WHOLE WITHOUT THE WRITTEN PERMISSION OF MENCOM CORPORATION IS PROHIBITED.

VOLTS	300V
AMPS	4A
TEMP:	80C

UNLESS OTHERWISE SPECIFIED:	DRAWN BY	ADM
DIMENSIONS ARE IN INCHES AND [MM]	DRAWN DATE	09/22/2016
	CHECKED BY	
	CHECK DATE	
	COMMENTS:	
MATERIAL		
FINISH		
DO NOT SCALE DRAWING		

MENCOM CORPORATION		
TITLE: 4 POL D-CODED M-M EXT PLG		
SIZE	DWG. NO.	REV
<b>B</b>	MDE45WB-4MMP-ZZ	<b>A</b>
SCALE: 3:2	WEIGHT:	SHEET 1 OF 1