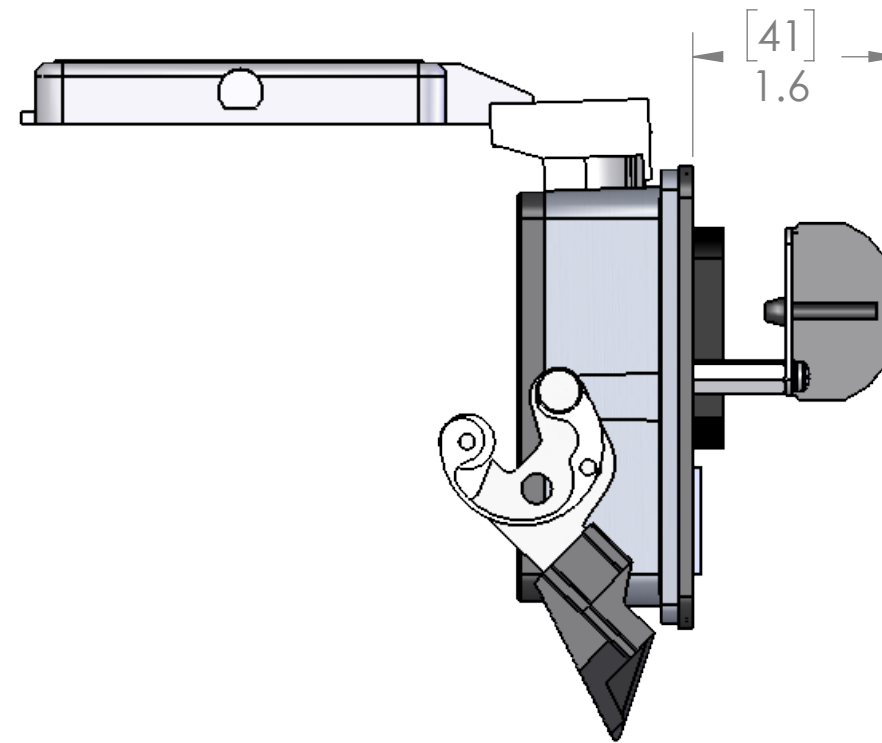
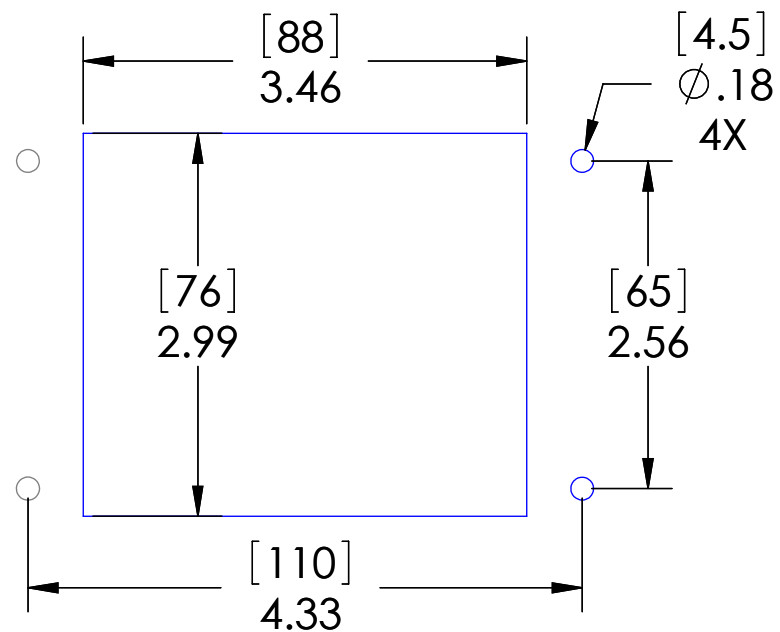


SHIELDED CAT 6A RJ45
CONNECTOR JACK TO JACK



PANEL CUTOUT



A device employing a 15 A or 20 A grounding type receptacle but no supplementary protector shall be protected by a fuse or circuit breaker that does not exceed the marked rating of the receptacle in the end use. When a fuse or circuit breaker rated less than the receptacle's rating is provided, a Marking shall be provided to indicate the maximum ampere rating of the protection provided.

These devices shall be mounted on enclosures having adequate strength and thickness and with adequate spacing provided. Seal rating is based on mounting to a surface that is clean, flat and smooth.

| HOUSING MATERIALS | | PIC RATINGS/SPECIFICATIONS | |
|-------------------|--------------------------------|----------------------------|-----------------------------|
| BODY: | EPOXY COATED DIE CAST ALUMINUM | VOLTS: | 125V |
| GASKET: | THERMOPLASTIC ELASTOMER | AMPS: | 15A |
| HANDLE: | POLYAMIDE | SCCR: | 10kA |
| LEVERS: | STAINLESS STEEL | NEMA/UL EN 60529: | 4, 12 IP65 |
| | | PANEL THICKNESS: | 5.0mm max |
| | | MOUNTING SCREW TORQUE: | 0.8N-m |
| | | TERMINAL BLOCK TORQUE: | 0.5N-m |
| | | INCOMING POWER WIRE SIZE: | 0.25 - 2.5 sq mm / 24-12AWG |
| | | WIRE STRIP LENGTH: | 7 - 8 mm |

MOUNTING KIT ORDERED SEPARATELY CONTAINS M4x0.7 SS SCREW, NYLON WASHER, SPLIT LOCKWASHER AND M4 NUT
P/N: D-PIC-MT



UNLESS OTHERWISE SPECIFIED:
DIMENSIONS ARE IN INCHES AND [MM]

| | |
|-------------|------------|
| DRAWN BY: | DCG |
| DRAWN DATE: | 11/21/2018 |
| CHECKED BY: | GO |
| CHECK DATE: | 11/26/2018 |

MENCOM CORPORATION
TITLE:
GFI; SHIELDED RJ45; 32

PROPRIETARY AND CONFIDENTIAL
THE INFORMATION CONTAINED IN THIS DRAWING IS THE SOLE PROPERTY OF MENCOM CORPORATION. ANY REPRODUCTION IN PART OR AS A WHOLE WITHOUT THE WRITTEN PERMISSION OF MENCOM CORPORATION IS PROHIBITED.

| | |
|----------------------|--|
| MATERIAL | |
| FINISH | |
| DO NOT SCALE DRAWING | |

COMMENTS:

| | | |
|------------|-----------------------|--------------|
| SIZE | DWG. NO. | REV |
| B | GF-RJ45S-NR-32 | D |
| SCALE: 2:3 | WEIGHT: | SHEET 1 OF 1 |