

PIN #	COLOR
1	BROWN
2	GRAY
3	BLACK
GND	GREEN / YELLOW

MATERIALS	
BODY:	BLACK TPE
CONTACTS:	SILVER PLATED COPPER ALLOY
CABLE:	BLACK 18/4 OIL RESISTANT
SCREW:	ZINC PLATED STEEL

REVISIONS			
REV.	DESCRIPTION	DATE	APPROVED
A	REDRAWN IN SW	7/30/2008	BEM
B	UPDATED OVERMOLD	4/21/2014	JJH

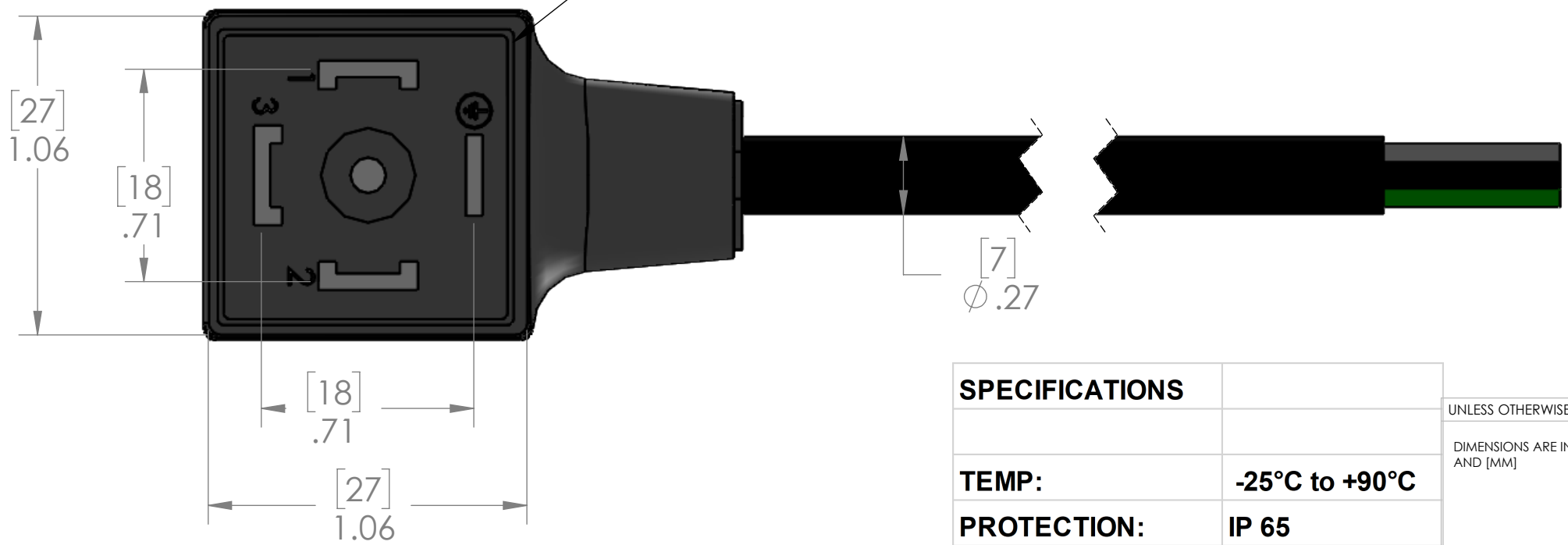
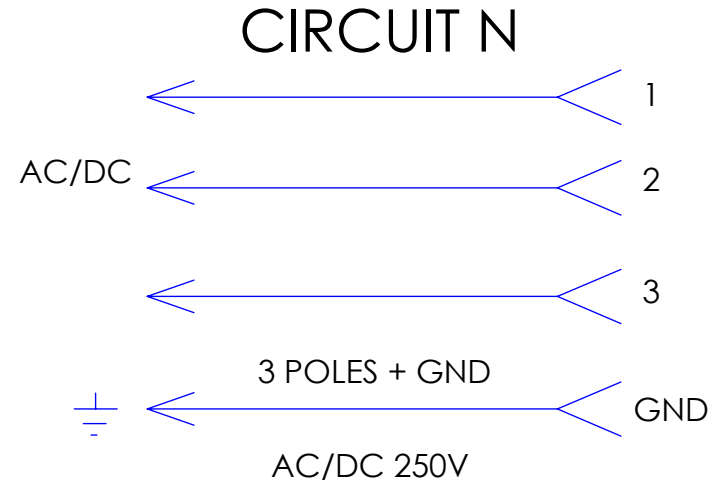
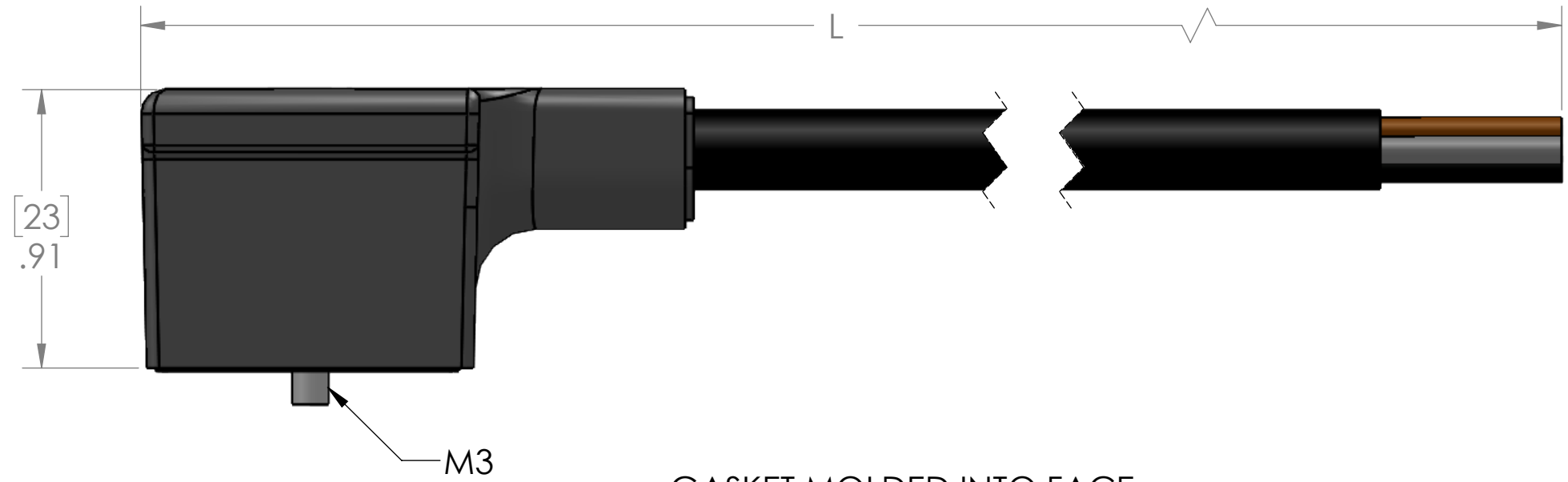


TABLE A		
P/N	L	STD?
VAN-130-00	40" [1M]	NO
VAN-230-00	79" [2M]	YES
VAN-330-00	118" [3M]	NO
VAN-430-00	157" [4M]	NO
VAN-530-00	197" [5M]	YES
VAN-630-00	236" [6M]	NO
VAN-A30-00	393" [10M]	YES

PARTS LISTED AS NOT BEING STANDARD MAY REQUIRE MINIMUM ORDERS

SPECIFICATIONS	
TEMP:	-25°C to +90°C
PROTECTION:	IP 65

PROPRIETARY AND CONFIDENTIAL
THE INFORMATION CONTAINED IN THIS DRAWING IS THE SOLE PROPERTY OF MENCOM CORPORATION. ANY REPRODUCTION IN PART OR AS A WHOLE WITHOUT THE WRITTEN PERMISSION OF MENCOM CORPORATION IS PROHIBITED.

VOLTS	250V
AMPS	10A
SPECIFICATIONS	

UNLESS OTHERWISE SPECIFIED:	
DIMENSIONS ARE IN INCHES AND [MM]	
MATERIAL	
FINISH	
DO NOT SCALE DRAWING	

NAME	CAM
DRAWN	
CHECKED	
ENG APPR.	
MFG APPR.	
Q.A.	
COMMENTS:	

MENCOM CORPORATION		
TITLE:		
SIZE	DWG. NO.	REV
B	VAN-ZZ30-00	B
SCALE: 2:1	WEIGHT:	SHEET 1 OF 1