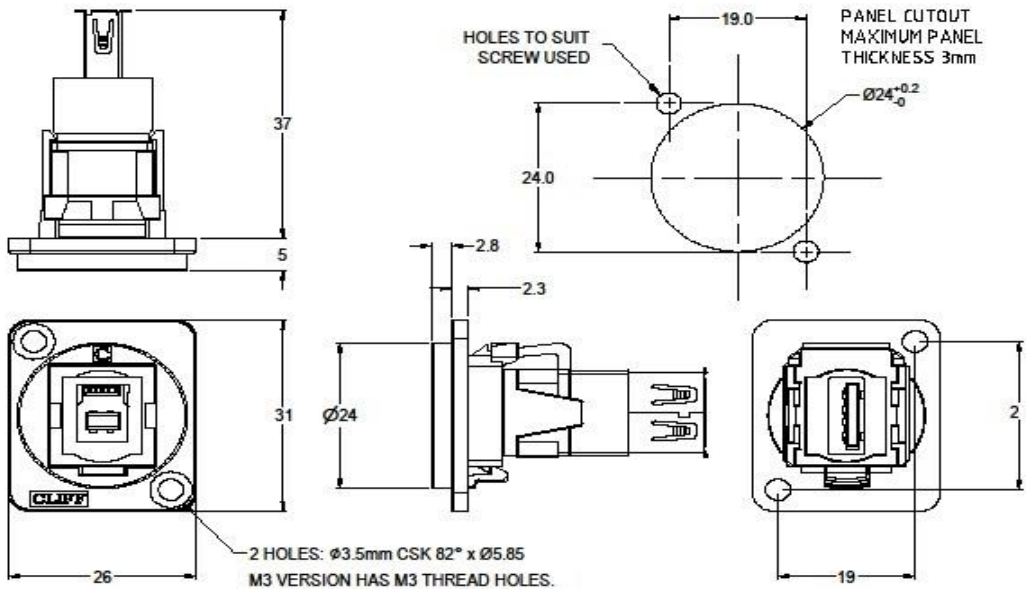


Datasheet

RS PRO USB3.0 B-A METAL M3 FEEDTHROUGH CONNECTOR

Stock No: 2035572, 2035571



Material:

1. Insert: ABS
2. Frame: Nickel or Black plated zinc diecast
3. Shell: Nickel plated steel
4. Contacts: Gold Plated

Notes:

1. Voltage rating: 30V AC
2. Current rating: 1.8 A max
3. Contact resistance: 50m Ω max
4. Insulation resistance: 20M Ω min
5. Dielectric withstanding voltage: 500V AC
6. Operating Temperature: -20°C to 50°C

Features & Benefits:

Fits standard XLR Ø24mm cutout.

No soldering or punch termination. Use standard cable for each connector style.

Front or rear mounted.

Low rear profile

General:

Please note: Functionality is affected by cable quality, length and cable wiring configuration.

Other models available:

8741190 USB3.0 B-A Black plastic frame, CSK holes

9075624 USB3.0 B-A Nickel plated metal frame, CSK holes

9160224 USB3.0 B-A Black metal frame, CSK holes



