

har-modular T module male str fixing pin



Image is for illustration purposes only. Please refer to product description.

Part number	02 53 900 0003
Specification	har-modular T module male str fixing pin
HARTING eCatalogue	https://b2b.harting.com/02539000003

Identification

Category	Connectors
Series	har-modular®
Identification	T module T spacer
Element	Male connector
Description of the contact	Straight

Version

Width of the module	10.16 mm
Connection type	Mezzanine
PCB fixing	With fixing pin

Technical characteristics

Insulation resistance	$>10^{11} \Omega$
Limiting temperature	-55 ... +125 °C
Mating cycles	≥ 500
Isolation group	I ($600 \leq CTI$)
Hot plugging	No
Moisture Sensitivity Level (MSL)	1 acc. to ECA/IPC/JEDEC J-STD-020D

Material properties

Material (insert)	Polyamide (PA)
Colour (insert)	Black

Material properties

Material flammability class acc. to UL 94 V-0

Specifications and approvals

Railway classification F1/I2 acc. to NFF 16-101/102

Commercial data

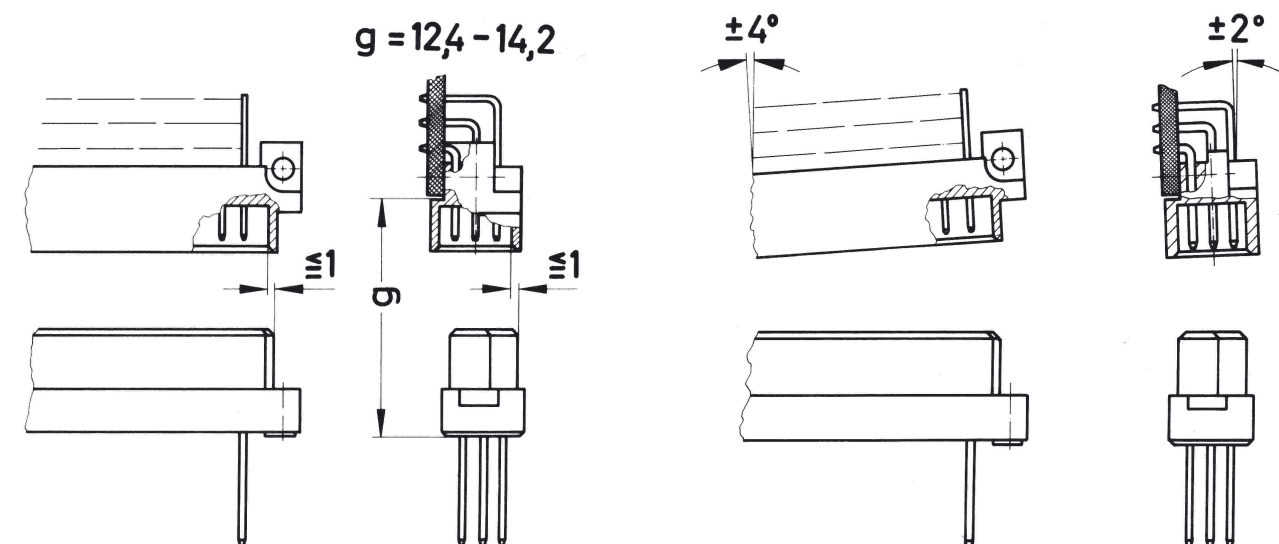
Packaging size 20

Country of origin Romania

European customs tariff number 85389099

eCl@ss 27460201 PCB connector (board connector)

Mating conditions



To ensure reliable connections and prevent unnecessary damage, please refer to the application data diagrams. These recommendations are set out in IEC 60603-2. The connectors should not be coupled and decoupled under electrical load.