

Han-Eco 10B Outd-HSM1-w. DL-M40-glanded

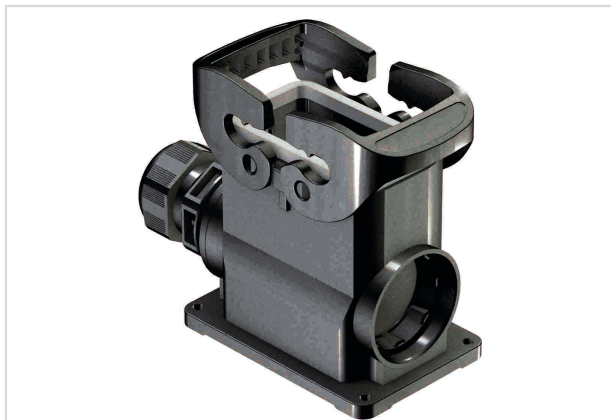


Image is for illustration purposes only. Please refer to product description.

Part number	19 43 310 0233
Specification	Han-Eco 10B Outd-HSM1-w. DL-M40-glanded
HARTING eCatalogue	https://b2b.harting.com/19433100233

Identification

Category	Hoods/Housings
Series of hoods/housings	Han-Eco® B
Type of hood/housing	Surface mounted housing
Description of hood/housing	With integrated cable gland

Version

Locking type	Double locking lever
Size	10 B
Version	Side entry
Cable entry	1x M40

Technical characteristics

Limiting temperature	-40 ... +125 °C
Number of relockings	≥500
Degree of protection acc. to IEC 60529	IP66
Clamping range	16 ... 28 mm

Material properties

Material (hood/housing)	Polyamide (PA) Fibre-glass reinforced
Colour (hood/housing)	RAL 9005 (jet black)
Material (seal)	FPM
Colour (seal)	RAL 7001 (silver-grey)



Pushing Performance

Material properties

Material (locking)	Polyamide (PA) Fibre-glass reinforced
Colour (locking)	RAL 9005 (jet black)
Material flammability class acc. to UL 94	V-0
Material flammability class acc. to UL 94 (locking levers)	V-0
RoHS	compliant with exemption
RoHS exemptions	6(c): Copper alloy containing up to 4 % lead by weight
ELV status	compliant with exemption
China RoHS	50
REACH Annex XVII substances	No
REACH ANNEX XIV substances	No
REACH SVHC substances	Yes
REACH SVHC substances	Lead

Specifications and approvals

Specifications	IEC 61984 EN 45545-2 R22: HL1, HL2, HL3 EN 45545-2 R23: HL1, HL2, HL3 EN 45545-2 R24: HL1, HL2, HL3
CE	Yes

Commercial data

Packaging size	1
Country of origin	Germany
European customs tariff number	85389099
eCl@ss	27440202 Shell for industrial connectors