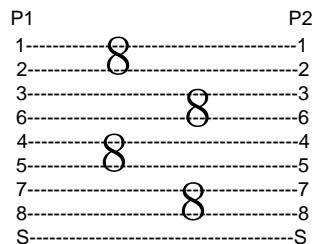


**PIN ASSIGNMENT**



5	NUT BLACK PVC 27P MOLDED.	
4	OVERMOLD BLACK PVC 45P MA-001.	
3	8P8C JK BLACK PBT WITH NICKLE PLATED SHELL G/F.	
2	8P8C PL WITH NICKLE PLATED SHELL G/F.	
1	STP 24AWG*4P+AE OD:6.0MM BLACK PVC JACKET CAT5E.	
NO.	Description	P/N

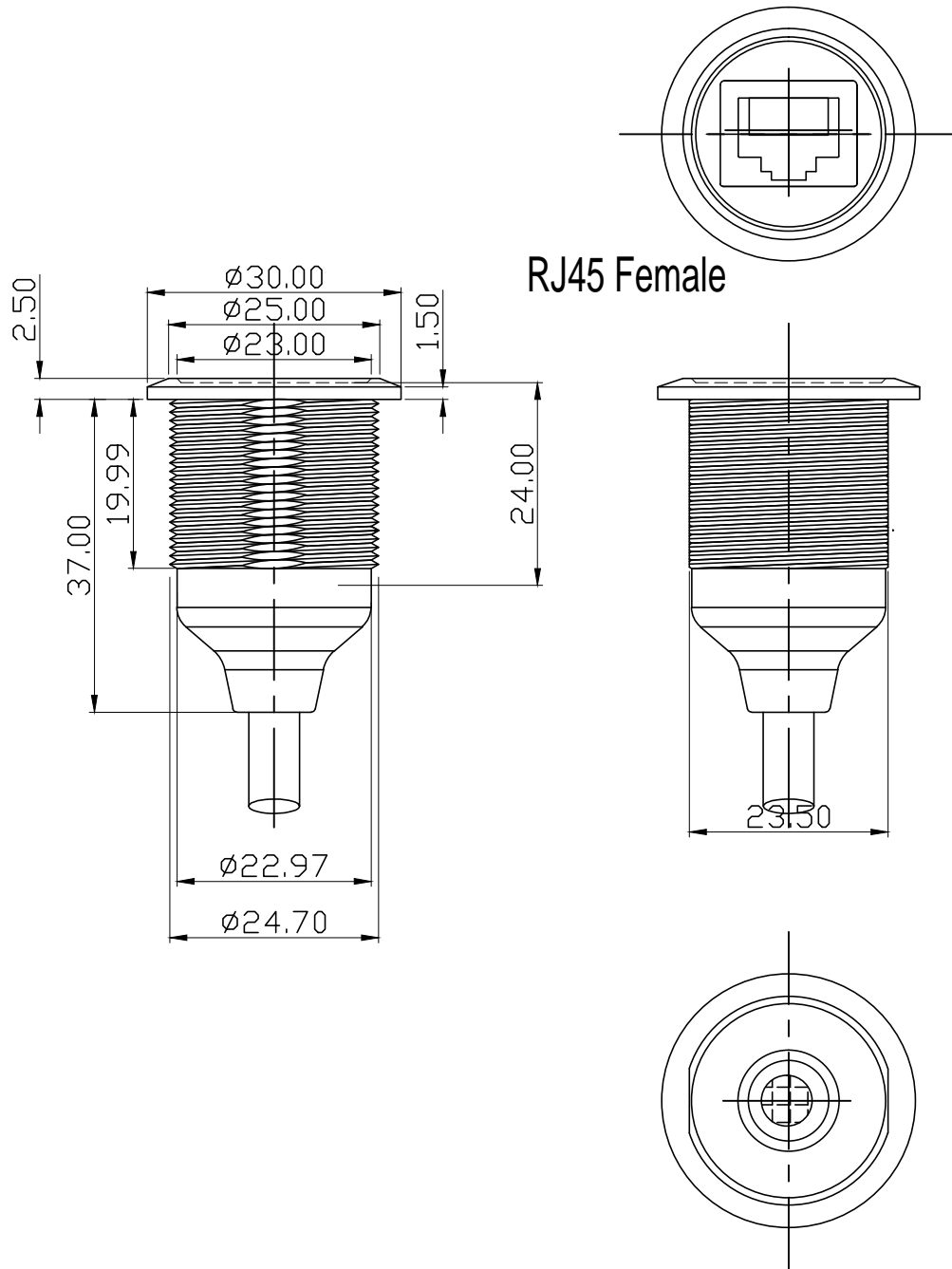
**NOTES:**

1. PIN ASSIGNMENT SEE TO WIRE LIST.
2. ELECTRICAL TEST CONDITION:
  - (a). 100% OPEN, SHORT & MISWIRE TEST,
  - (b). INSULATOR RESISTANCE: 10 Mohm MIN.  
DC 300V 0.01sec.
  - (c). CONTACT RESISTANCE: 3ohm MAX.

DWG NO:	PCM-0164	GOODS CODE		Draw	Jason	Date	2019/3/15
ITEM NO.		DRAWING EVIDENCE		Check		Date	
Goods NO.				Approval		Date	
Original NO.		Unit(mm)					

<b>PREMIER CABLE MFG CO LTD</b>	D		
	C		
	B		
	VER.A	REVISE	Date.

RJ45 Female



M25

