

Brad M12 Ultra-Lock 2.0 Female Cordset



The Brad M12 Ultra-Lock 2.0 Female Cordset meets the IEC 61076-2-010 standard and provides an easy-to-assemble interface, delivering increased productivity and cost savings while surpassing the performance and reliability of traditional threaded connectors

Features and Advantages

Operator-independent connection

Offers field-proven push-pull technology that enables simple and fast connections that cannot be either too tight or too loose

Universal, industry-standard M12 interface

Allows customers to easily change between Ultra-Lock and traditional threaded connection styles as needed

Plastic housing and Zinc die-cast spring carrier

Offers a durable and cost-effective solution



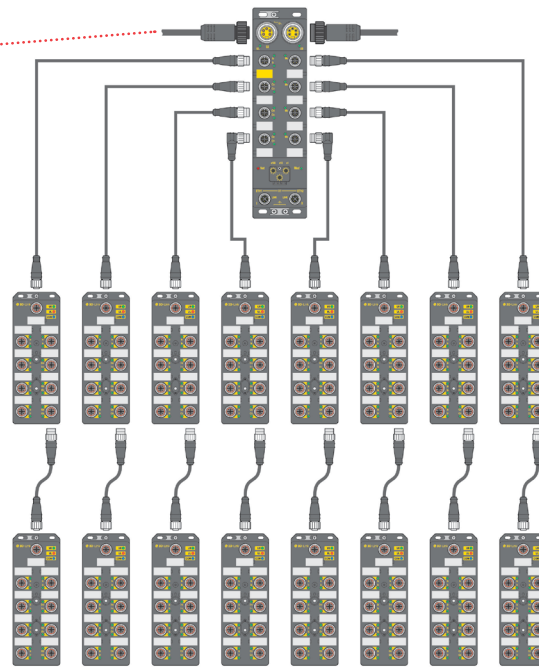
M12 Ultra-Lock 2.0 Female Cordset



M12 Ultra-Lock 2.0 90° Female Cordset

IP67 protection

Affords push, click and the proven protection against water and dust



Multi I/O Applications

Weld-slag, oil-resistant (WSOR) cable

Withstands multiple harsh-environment conditions including welding and cutting oil. Delivers high-flex and high-torsion performance over a wide temperature range

Applications

Industrial Automation

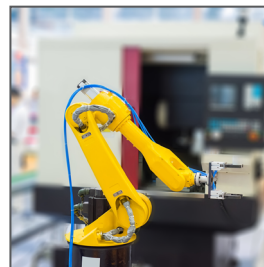
- Machine and line builders
- Machine tools/machining centers
- Automotive production (incl. robotics)
- Special-purpose machinery manufacture

Industrial Automation (Applications)

- Sensor and actuator connections
- Multi-I/O applications
- Areas with difficult access
- Safety areas (click and tight)



Factory Automation / Machine & Line Builders



Robotics



Machine Tools & Machining Centers

Brad M12 Ultra-Lock 2.0 Female Cordset

molex

Specifications

REFERENCE INFORMATION

Mates with REC series 120084

ELECTRICAL

Voltage/Current (max.):

3/4 Pole: 250V/4A

5 Pole: 60V/4A

8 Pole: 30V/2A

12 Pole: 30V/1.5A

MECHANICAL

Outer Sleeve: PA

Inner Sleeve: Zinc die-cast

Locking Spring: Stainless Steel

Contact Plating: Gold over Nickel

O-Ring: FPM

Operating Temperature: -25 to +85°C

ENVIRONMENTAL

Pollution Degree (IEC 60 664-1): 3

Ingress Protection (IEC 60 529): IP67

RoHS: Yes

CERTIFICATIONS

IEC 61076-2-010

CSA and UL

www.molex.com/link/m12ultralock.html

Molex is a registered trademark of Molex, LLC in the United States of America and may be registered in other countries; all other trademarks listed herein belong to their respective owners.