

# HMIDMA521

Flat screen, Harmony Modular iPC, Display PC  
Wide 22" multi touch for HMIBM



## Main

Range of Product	Harmony Modular iPC
Product or Component Type	Flat screen
Terminal type	Touchscreen display

## Complementary

Device mounting	Flush
Local signalling	Status LED
View angle horizontal x vertical	150 x 150°
Contrast Ratio	500:1
Pixel resolution	1024 x 1024
Touchscreen resolution	4096 x 4096
Function Available	Operate with water on screen
[Us] rated supply voltage	24 V DC power supply 100...240 V AC power supply 47...63 Hz
Supply voltage limits	18...36 V DC
Power Consumption in W	50.7 W typical)Box PC HMIBMP 64.85 W maximum)Box PC HMIBMP 45.2 W typical)Box PC HMIBMU 59.85 W maximum)Box PC HMIBMU
Display size	21.5 inch
Aspect ratio	4:3
Display type	LED Colour TFT LCD
Display Resolution	1920 x 1080 pixels full HD
Display colour	16777216 colors
Luminance	27.87 fc (300 cd/m <sup>2</sup> )
Backlight lifespan	50000 hours 77 °F (25 °C)
Touch panel	Multi-touch projected capacitive technology (PCT)
Type of Installation	Indoor installation
Inrush current	8.9 A
Width	21.98 in (558.4 mm)
Height	13.77 in (349.8 mm)
Depth	Enclosure 1.10 in (28 mm) 0.28 in (7 mm)
Net Weight	14.55 lb(US) (6.6 kg)

The information provided in this documentation contains general descriptions and/or technical characteristics of the performance of the products contained herein. This documentation is not intended as a substitute for and is not to be used for determining suitability or reliability of these products for specific user applications. It is the duty of any such user or integrator to perform the appropriate and complete risk analysis, evaluation and testing of the products with respect to the relevant specific application or use thereof. Neither Schneider Electric Industries SAS nor any of its affiliates or subsidiaries shall be responsible or liable for misuse of the information contained herein.

## Environment

IP degree of protection	IP66
NEMA degree of protection	NEMA 4X
Standards	UL 60950 CSA C22.2 No. 60950
Product Certifications	CCC C-tick EAC
Ambient air temperature for operation	32...131 °F (0...55 °C)
Ambient air temperature for storage	-22...158 °F (-30...70 °C)
Pollution degree	2
Relative Humidity	10...95 % non-condensing
Operating altitude	6561.68 ft (2000 m)
Vibration resistance	1 gn 5...500 Hz) HDD 2 gn 5...500 Hz) SSD 2 gn 5...500 Hz) Cfast card




## Ordering and shipping details

Category	22574-MAGELIS BOX PC AND PANEL PC
Discount Schedule	MC2
GTIN	3606480853692
Nbr. of units in pkg.	1
Package weight(Lbs)	14.55 lb(US) (6.6 kg)
Returnability	No
Country of origin	US

## Packing Units

Unit Type of Package 1	PCE
Package 1 Height	1.10 in (2.8 cm)
Package 1 width	13.78 in (35 cm)
Package 1 Length	21.97 in (55.8 cm)
Unit Type of Package 2	CAR
Number of Units in Package 2	1
Package 2 Weight	20.28 lb(US) (9.2 kg)
Package 2 Height	23.03 in (58.5 cm)
Package 2 width	8.66 in (22 cm)
Package 2 Length	28.74 in (73 cm)
Unit Type of Package 3	P12
Number of Units in Package 3	5
Package 3 Weight	112.44 lb(US) (51.0 kg)
Package 3 Height	31.10 in (79 cm)
Package 3 width	31.50 in (80 cm)
Package 3 Length	47.24 in (120 cm)

## Offer Sustainability

California proposition 65	WARNING: This product can expose you to chemicals including: Lead and lead compounds, which is known to the State of California to cause cancer and birth defects or other reproductive harm. For more information go to <a href="http://www.P65Warnings.ca.gov">www.P65Warnings.ca.gov</a>
REACH Regulation	 <a href="#">REACH Declaration</a>
REACH free of SVHC	Yes
EU RoHS Directive	Pro-active compliance (Product out of EU RoHS legal scope)  <a href="#">EU RoHS Declaration</a>
Mercury free	Yes
RoHS exemption information	 <a href="#">Yes</a>

---

China RoHS Regulation

 [China RoHS Declaration](#)

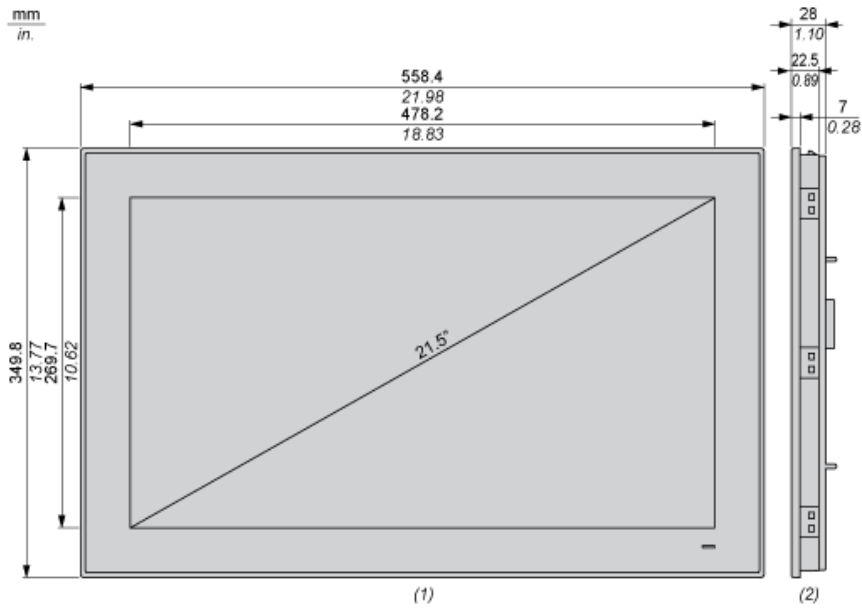
---

WEEE

The product must be disposed on European Union markets following specific waste collection and never end up in rubbish bins.

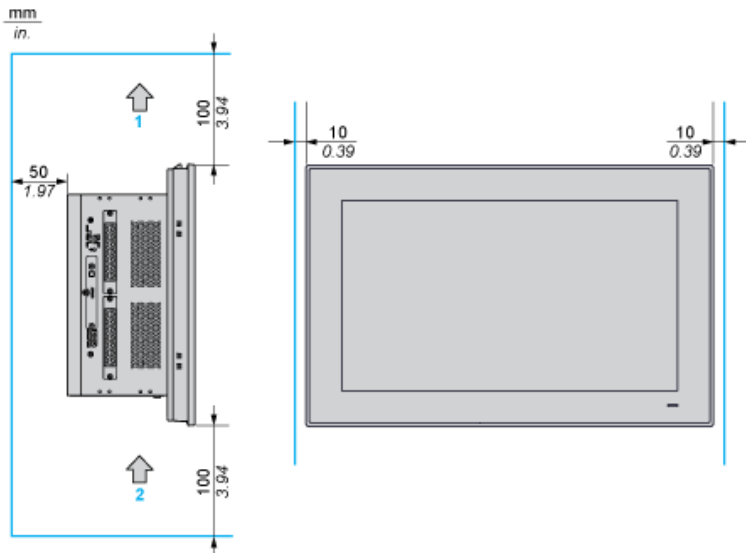
---

Dimensions



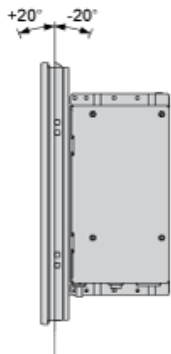
- (1) Front view
- (2) Right view

## Spacing Requirements

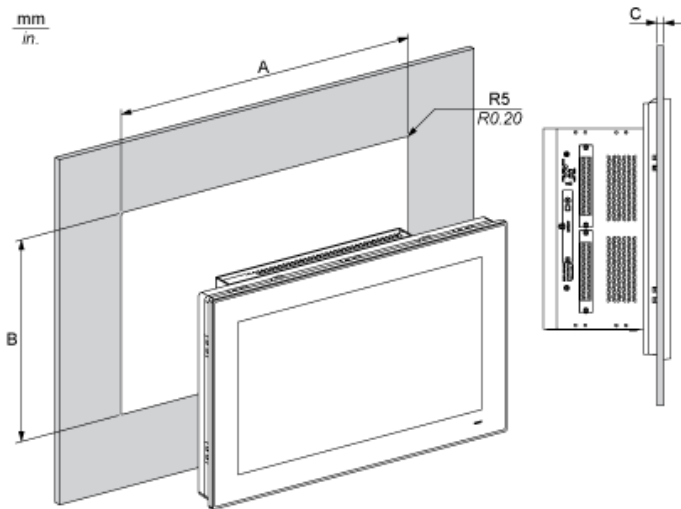


- 1 : Air out
- 2 : Air in

## Mounting Orientation



## Panel Cut Dimensions



A		B		C		R	
mm	in.	mm	in.	mm	in.	mm	in.
550.3	21.66	341.8	13.45	2...6	0.08...0.23	5	0.20