

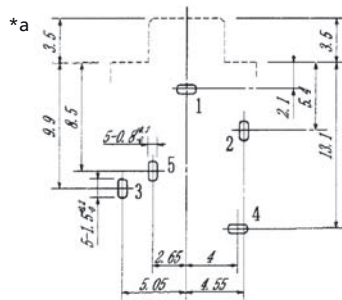
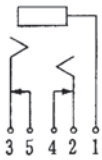
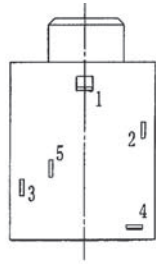
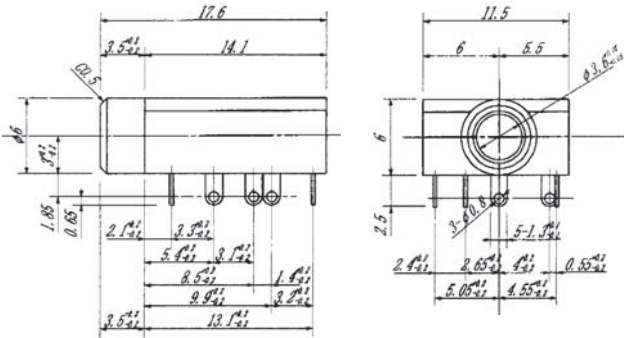
15

1503 09

## Jack connectors



Jack chassis socket acc. to JIS C 6560 JC35J3B, 3.5 mm, 3 poles/stereo, angular version, with 2 break contacts and solder eyes, for printed circuit boards, for back side mounting



\*a printed circuit board layout, solder side view

**Environmental conditions**

Temperature range -10 °C/+70 °C

**Materials**

Insulating body PBT GF, V-0 according to UL94  
 Contact spring Cu alloy, silver-plated  
 Cover PC, HB  
 Knurled nut CuZn, nickel-plated

**Mechanical data**

Mating cycles  $\geq 5000$   
 Insertion force 3–20 N<sup>1</sup>  
 Withdrawal force 3–20 N<sup>1</sup>

<sup>1</sup> measured with a gauge plug

**Electrical data (at T<sub>amb</sub> 20 °C)**

Contact resistance  $\leq 30 \text{ m}\Omega$   
 Rated current 1 A  
 Rated voltage 34 V AC/DC  
 Rated impulse voltage 250 V/60 s  
 Insulation resistance  $\geq 100 \text{ M}\Omega$

**Associated products**

Counterparts  
 ☞ 1532 07 ☞ KLS 40 ☞ KLS 44  
 ☞ WKLS 40

15

1503 09

Designation	Pole Number	PU (Pieces)	MDQ (Pieces)
1503 09	3	500	500

**Packaging:**

in bulk, in a cardboard box or a plastic bag