

16

1631 01

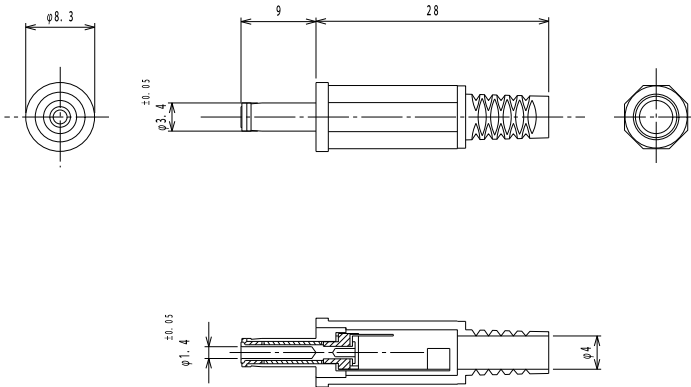
Power supply connectors



Power supply plug, straight version, with solder eyes and bend protection

16

1631 01



Environmental conditions

Temperature range -20 °C/+70 °C

Materials

Insulating body	PC
Contact	Cu alloy, nickel-plated
Insulation	PVC/ebonite
Housing	PE

Mechanical data

Outer diameter	3,4 mm
Inner diameter	1,4 mm

Connectable conductors for solder area

Cable diameter 4,0 mm

Electrical data (at T_{amb} 20 °C)

Rated current	0,5 A
Nominal voltage	12 V DC
Rated impulse voltage	500 V/60 s
Insulation resistance	≥ 100 MΩ

Associated products

Counterparts

☞ 1613 12	☞ 1613 20	☞ 1613 26
☞ 1614 17	☞ 1614 22	

16

1631 01

Designation	Pole Number	PU (Pieces)	MDQ (Pieces)
1631 01	2	100	500