

15

1502 01

Jack connectors

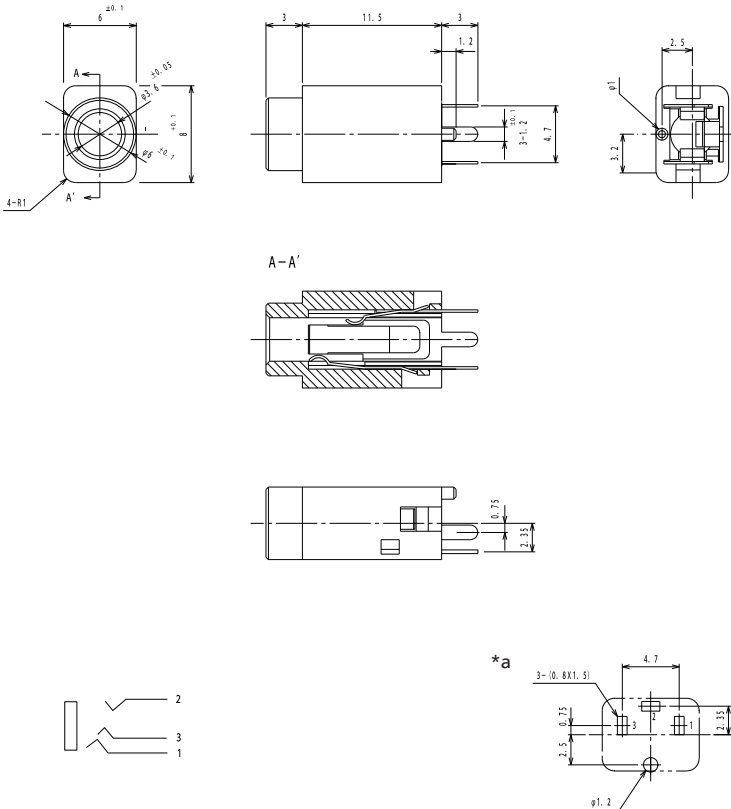


Jack chassis socket acc. to JIS C 6560 JC35J3A, 3.5 mm, 3 poles/stereo, upright version, for printed circuit boards

State: Obsolete

15

1502 01



Environmental conditions

Temperature range -20 °C/+70 °C

Materials

Insulating body PBT, V-0 according to UL94
Contact spring Cu alloy, tin-plated

Mechanical data

Mating cycles 5000
Insertion force 4-30 N¹
Withdrawal force 4-30 N¹

¹ measured with a gauge plug

Electrical data (at T_{amb} 20 °C)

Contact resistance ≤ 50 mΩ
Rated current 1 A
Rated voltage 12 V DC
Rated impulse voltage 500 V/60 s
Insulation resistance ≥ 100 MΩ

Associated products

Counterparts
 ☞ 1532 07 ☞ KLS 40 ☞ KLS 44
 ☞ WKLS 40

*a printed circuit board layout, solder side view

15

1502 01

Designation	Pole Number	PU (Pieces)	MDQ (Pieces)
1502 01	3	200	600

Packaging:

in bulk, in a cardboard box or a plastic bag